



2 way brass ball valve coupled with quarter-turn electrical actuator "ER"

Threaded type

Technical specification of actuator

Quarter-turn (90°) electrical actuator ER

Power supply : 230 V AC
12 / 24 V AC/DC
24 V AC/DC

Duty rating : 50% for 230 V AC
30% for 12/24 V AC

Protection : IP 65

Operating temperature : -10 ... 55 °C

Output switch : 4 SPDT micro switch

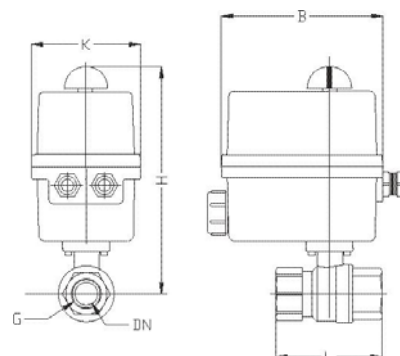
Mounting pad : ISO 5211 / DIN 3337

Extra option :

Positioner with 4 ... 20 mA input/output

0 ... 10 V input/output

Potentiometer 1 / 5 / 10 K Ohms



Technical specification of valve

Type : threaded type brass ball valve

Body material : Brass with Nickel coated

Seat : PTFE

Operating pressure : PN 40

Operating temperature : -20 ... +160 °C

Valve size (G)	Actuator	PN	DN	L	K	B	H		Kg	
1/4"	ER10	40	8	67	92	136	181			
3/8"	ER10	40	10	67	92	136	181			
1/2"	ER10	40	15	67	92	136	181			
3/4"	ER10	40	20	76	92	136	183			
1"	ER20	40	25	90	92	136	193			
1 1/4"	ER20	40	32	102	92	136	197			
1 1/2"	ER35	40	40	114	92	136	212			
2"	ER35	40	50	138	92	136	221			
2 1/2"	ER45	40	65	157	128	151	262			
3"	ER60	40	80	188	128	151	273			
4"	ER100	40	100	225	128	151	294			

ARYAN PAJOUHESH ENG. Co.

1st Floor , No. 39 , 27th St. , Kordestan Exp.

Zip Code: 1437747191 , Tehran – IRAN

Tel.: +98 (21) 88335507-10

Fax: +98 (21) 88010484

Email: info@aryanpajouhesh.com

شرکت آریان پژوهش

تهران- بزرگراه کردستان , خیابان ۲۷ غربی ,

پلاک ۳۹ , طبقه اول کدپستی ۱۴۳۷۷۴۷۱۹۱

تلفن : ۸۸۳۳۵۵۰۷-۱۰

فاکس : ۸۸۰۱۰۴۸۴