



Butterfly valve coupled with quarter-turn electrical actuator "ER"

Wafer type

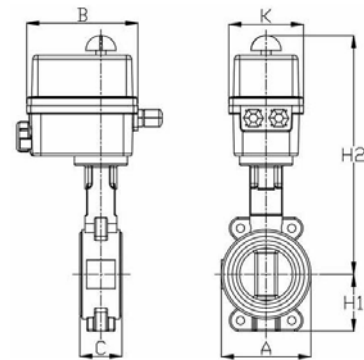
Technical specification of actuator

Quarter-turn (90°) electrical actuator ER
 Power supply : 230 V AC
 12 / 24 V AC/DC
 24 V AC/DC
 Duty rating : 50% for 230 V AC
 30% for 12/24 V AC
 Protection : IP 65
 Operating temperature : -10 ... 55 °C
 Output switch : 4 SPDT micro switch
 Mounting pad : ISO 5211 / DIN 3337
 Extra option :
 Positioner with 4 ... 20 mA input/output
 0 ... 10 V input/output
 Potentiometer 1 / 5 / 10 K Ohms



Technical specification of valve

Type : wafer butterfly valve
 Body material : Cast iron G250
 Disc material : Stainless steel AISI 316
 Sealing : EPDM
 Operating pressure : PN 10 up to PN 16
 Operating temperature : -20 ... +120 °C



| Valve size | Actuator | PN | C | H1 | A | H2 | B | K | Kg |
|--------------|----------------|----|------|-----|-----|-----|-----|-----|----|
| DN 32 (1 ¼") | ER20 (or EK20) | 16 | 33 | 58 | 75 | 288 | 136 | 92 | |
| DN 40 (1 ½") | ER20 (or EK20) | 16 | 33 | 58 | 82 | 288 | 136 | 92 | |
| DN 50 (2") | ER35 (or EK35) | 16 | 43 | 63 | 96 | 288 | 136 | 92 | |
| DN 65 (2 ½") | ER60 (or EK60) | 16 | 46 | 72 | 109 | 328 | 151 | 128 | |
| DN 80 (3") | ER60 (or EK60) | 16 | 46 | 94 | 126 | 333 | 151 | 128 | |
| DN 100 (4") | ER100 | 16 | 52 | 108 | 152 | 351 | 151 | 128 | |
| DN 125 (5") | ER100 | 16 | 54 | 120 | 182 | 366 | 151 | 128 | |
| DN 150 (6") | | 16 | 56 | 136 | 207 | | | | |
| DN 200 (8") | | 10 | 58,5 | 165 | 262 | | | | |
| DN 250 (10") | | 10 | 66,5 | 202 | 317 | | | | |
| DN 300 (12") | | 10 | 76,5 | 235 | 373 | | | | |
| DN 350 (14") | | | | | | | | | |
| DN 400 (16") | | | | | | | | | |

ARYAN PAJOUHESH ENG. Co.

1st Floor , No. 39 , 27th St. , Kordestan Exp.
 Zip Code: 1437747191 , Tehran – IRAN
 Tel.: +98 (21) 88335507-10
 Fax: +98 (21) 88010484
 Email: info@aryanpajouhesh.com

شرکت آریان پژوهش

تهران- بزرگراه کردستان , خیابان ۲۷ غربی ,
 پلاک ۳۹ , طبقه اول کدپستی ۱۴۳۷۷۴۷۱۹۱
 تلفن : ۸۸۳۳۵۵۰۷-۱۰
 فاکس : ۸۸۰۱۰۴۸۴