



High pressure stainless steel ball valve coupled with electrical actuator "ER" Threaded type

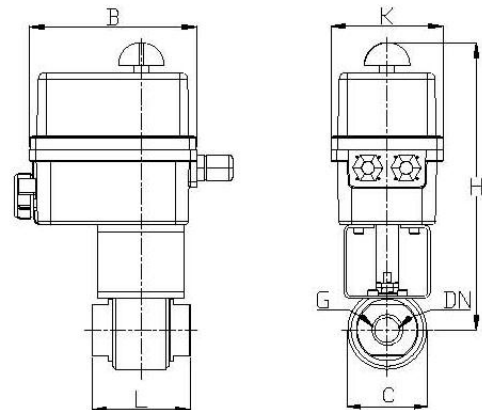
Technical specification of actuator

Quarter-turn (90°) electrical actuator ER
 Power supply : 230 V AC
 12 / 24 V AC/DC
 24 V AC/DC
 Duty rating : 50% for 230 V AC
 30% for 12/24 V AC
 Protection : IP 65
 Operating temperture : -10 ... 55 °C
 Output switch : 4 SPDT micro switch
 Mounting pad : ISO 5211 / DIN 3337
 Extra option :
 Positioner with 4 ... 20 mA input/output
 0 ... 10 V input/output
 Potentiometer 1 / 5 / 10 K Ohms



Technical specification of valve

Type : high pressure stainless steel ball valve
 Body material : stainless steel AISI 316
 Seat : PTFE
 Operating pressure : up to 500 bar
 Operating temperature : up to +180 °C



Valve size (G)	Actuator		DN	C	L	B	H	K	Kg	
1/4"	ER35		8	50	50	136	224	92		
3/8"	ER35		10	50	60	136	224	92		
1/2"	ER45		15	59	75	151	257	128		
3/4"	ER60		20	64	80	151	260	128		
1"	ER100		25	74	90	151	295	128		
1 1/4"	ER100		32	80	110	151	299	128		
1 1/2"			40	99	120					
2"			50	119	140					

ARYAN PAJOUHESH ENG. Co.

1st Floor , No. 39 , 27th St. , Kordestan Exp.
 Zip Code: 1437747191 , Tehran – IRAN
 Tel.: +98 (21) 88335507-10
 Fax: +98 (21) 88010484
 Email: info@aryanpajouhesh.com

شرکت آریان پژوهش

تهران- بزرگراه کردستان , خیابان ۲۷ غربی ,
 پلاک ۳۹ , طبقه اول کدپستی ۱۴۳۷۷۴۷۱۹۱
 تلفن : ۸۸۳۳۵۵۰۷-۱۰
 فاکس : ۸۸۰۱۰۴۸۴