



## 2 way PVC ball valve coupled with pneumatic actuator Threaded type

### Technical specification of actuator

Double action pneumatic actuator

Type : Double action 90°

Compressed air supply : 6 bar ( max. 8 bar )

Operating temperture : -20 ... 80 °C  
-20 ... 150 °C (Optionaly)

Mounting pad : ISO 5211 / DIN 3337

Solenoid valve conn. : according to NAMUR standard

Body : Anodized aluminium

Options : PTFE and Nickel-plated coated and  
stainless steel body



### Technical specification of valve

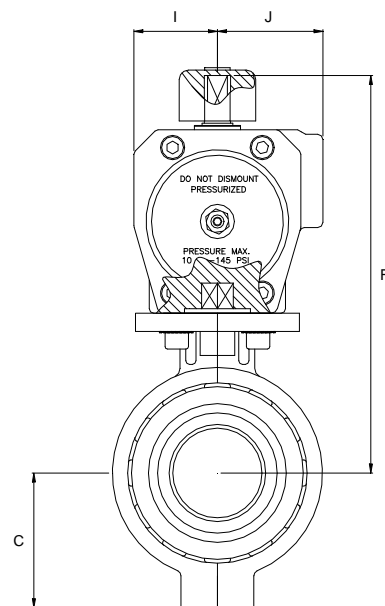
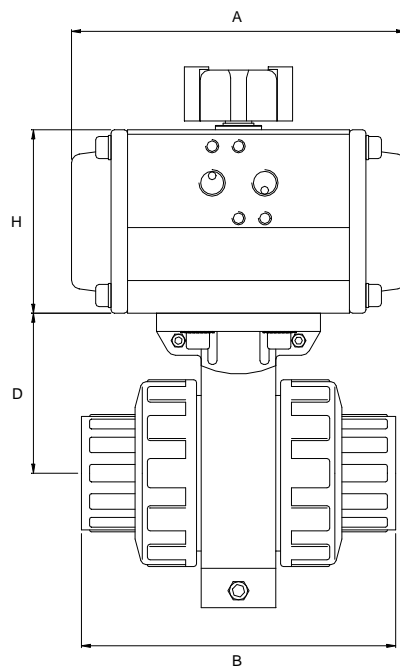
Type : threaded type PVC ball valve

Body material : PVC

Seat : PTFE

Operating pressure : PN 10 at 20 °C

Operating temperature : +50 °C





## 2 way PVC ball valve coupled with pneumatic actuator

Threaded type

### 2 way PVC ball valve coupled with double action pneumatic actuator

Valve size	Actuator	PN	A	B	D	C	H	I	J	F
1/4"	DA032	10	117	97	58	49	45	22,5	25,5	123
3/8"	DA032	10	117	97	58	49	45	22,5	25,5	123
1/2"	DA032	10	117	97	58	49	45	22,5	25,5	123
3/4"	DA032	10	117	103,5	61	48	45	22,5	25,5	126
1"	DA042	10	160	116	68	46	57	27	33,5	145
1 1/4"	DA042	10	160	141	72	57	57	27	33,5	149
1 1/2"	DA050	10	138	148	90	68	67	33,5	41,5	177
2"	DA063	10	155	162	98	75	83	38	48	201
2 1/2"	DA075	10	210	232,5	124	96	100	42,5	51,5	244
3"	DA075	10	210	245	134	111	100	42,5	51,5	254
4"	DA085	10	228	308	176	126	110	49	55	306

### 2 way PVC ball valve coupled with single action pneumatic actuator

Valve size	Actuator	PN	A	B	D	C	H	I	J	F
1/4"	SR042	10	160	97	58	49	57	27	33,5	135
3/8"	SR042	10	160	97	58	49	57	27	33,5	135
1/2"	SR042	10	160	97	58	49	57	27	33,5	135
3/4"	SR050	10	138	103,5	61	48	67	33,5	41,5	148
1"	SR063	10	155	116	68	46	83	38	48	171
1 1/4"	SR063	10	155	141	72	57	83	38	48	175
1 1/2"	SR075	10	210	148	90	68	100	42,5	51,5	210
2"	SR075	10	210	162	98	75	100	42,5	51,5	218
2 1/2"	SR100	10	280	232,5	124	96	125	55	65	269
3"	SR100	10	280	245	134	111	125	55	65	279
4"	SR115	10	310	308	176	126	142	63,5	70,5	348

ARYAN PAJOUHESH ENG. Co.

1<sup>st</sup> Floor , No. 39 , 27<sup>th</sup> St. , Kordestan Exp.  
Zip Code: 1437747191 , Tehran – IRAN  
Tel.: +98 (21) 88335507-10  
Fax: +98 (21) 88010484  
Email: info@aryanpajouhesh.com

شرکت آریان پژوهش

تهران- بزرگراه کردستان ، خیابان ۲۷ غربی ،  
پلاک ۳۹ ، طبقه اول کدپستی ۱۴۳۷۷۴۷۱۹۱  
تلفن : ۸۸۳۳۵۵۰۷-۱۰  
فاکس : ۸۸۰۱۰۴۸۴