



- PTM - 5V Series
- PTM - 6V Series
- PTM - 6V With Limit Switch

- Compact design & durability
- High sensitivity
- Easy installation



New Position Transmitter Series

Position Transmitter PTM-5VL / PTM-5VR (Intrinsically Safe Type)

INTRODUCTION

Electronic Position Transmitter PTM-5V series senses mechanical position change of stem being on the valve or similar device and converses to current signal of DC 4~20mA outputs. It is intrinsically safe ExiallCT6 type.

FEATURES

- Compact design & durability.
- Wiring is convenient due to 2 wire type.
- It has high resolution and reliability.
- The controlling range of Zero and Span is large, so adjustment is convenient.
- It is possible to change RA/DA with changing position of dip-switch without replacement of any parts.

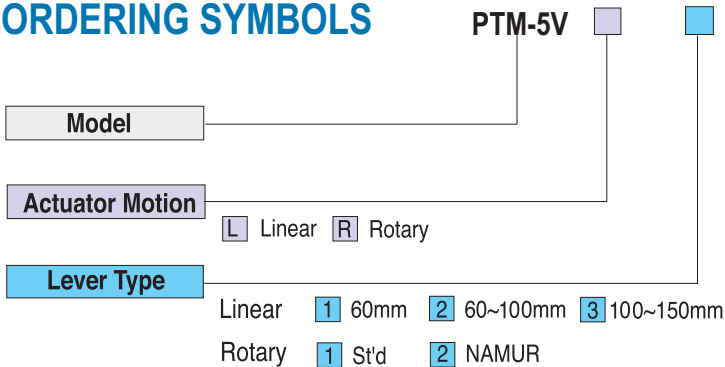


PTM-5VL (Linear Type)

SPECIFICATIONS

Item · Type	PTM-5VL	PTM-5VR
Input Type	2Wire	
Input Signal	0 ~ 30°	0 ~ 90°
Output Signal	4 ~ 20mA DC	
Supply Voltage	10 ~ 30V DC	
Noise Range	50mV p.p	
Conduit	PF1/2 (G1/2)	
Protection	IP67	
Explosion Proof	Ex ia IIC T6	
Ambient Temp	- 30°C ~ 85°C (-22~ 185°F)	
Linearity	± 0.5% F.S.	
Hysteresis	0.5% F.S.	
Sensitivity	± 0.2% F.S.	
Material	Aluminum Casting	
Weight	0.6kg (1.3lb)	

ORDERING SYMBOLS

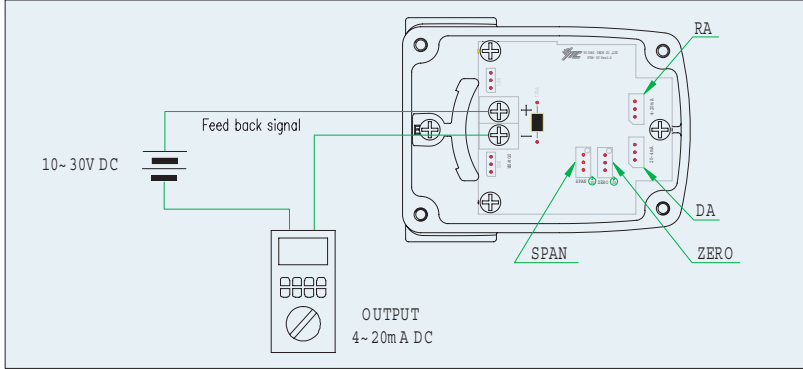


PTM-5VR (Rotary Type)

Position Transmitter

PTM-5VL / PTM-5VR (Intrinsically Safe Type)

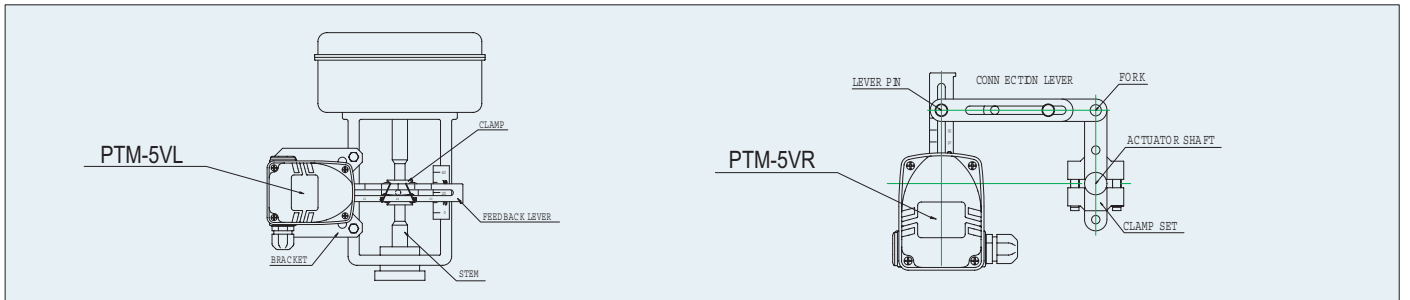
WIRING



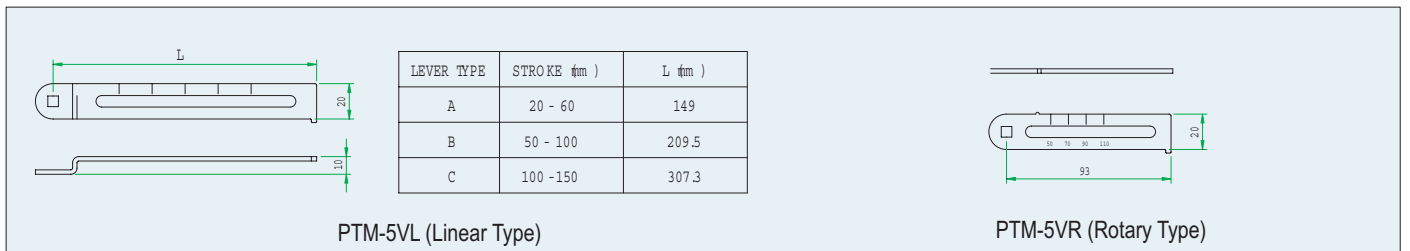
PCB



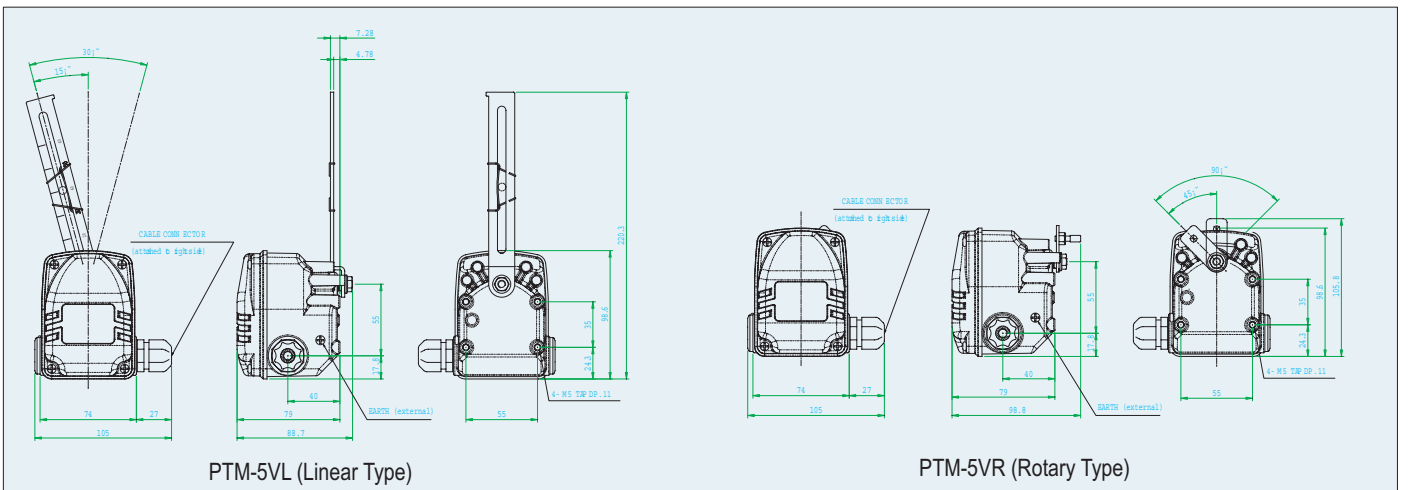
INSTALLATION



LEVER



DIMENSIONS



Position Transmitter PTM-6VL / PTM-6VR (Flameproof Type)

INTRODUCTION

Electronic Position Transmitter PTM-6V series senses mechanical position change of stem being on the valve or similar device and converses to current signal of DC 4~20mA outputs. It is Flameproof Type.

FEATURES

- Wiring is convenient due to 2 wire type.
- It has high resolution and reliability.
- The controlling range of Zero and Span is large, so adjustment is convenient.
- It is possible to change RA/DA with changing position of dip-switch without replacement of any parts.

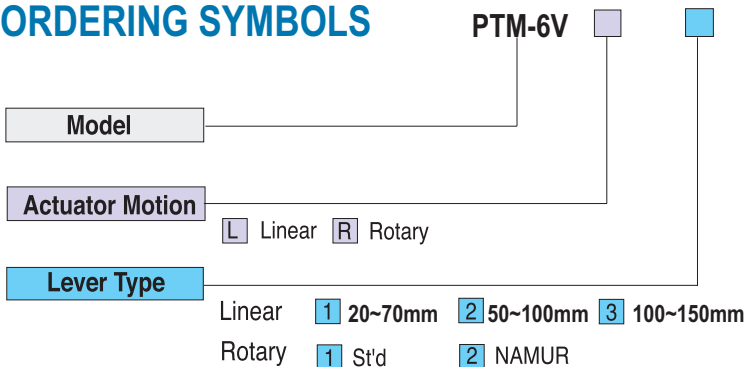


PTM-6VL(Linear Type)

SPECIFICATIONS

Item · Type	PTM-6VL	PTM-6VR
Input Type	2Wire	
Input Signal	0 ~ 30°	0 ~ 90°
Output Signal	4 ~ 20mA DC	
Supply Voltage	10 ~ 30V DC	
Noise Range	50mV p.p	
Conduit	PF1/2 (G1/2)	
Protection	IP67	
Explosion Proof	ExdIICT6	
Ambient Temp	-20°C ~ 70°C (-4 ~ 158°F)	
Linearity	±0.5% F.S.	
Hysteresis	0.5% F.S.	
Sensitivity	±0.2% F.S.	
Material	Aluminum Casting	
Weight	1.2kg (2.7lb)	

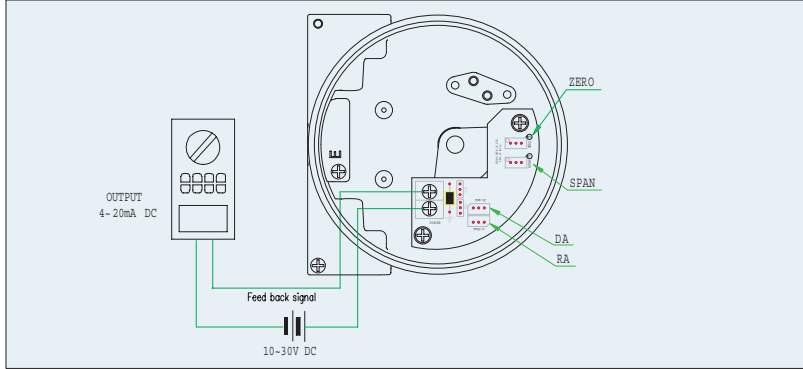
ORDERING SYMBOLS



PTM-6VR (Rotary Type)

Position Transmitter PTM-6VL / PTM-6VR (Flameproof Type)

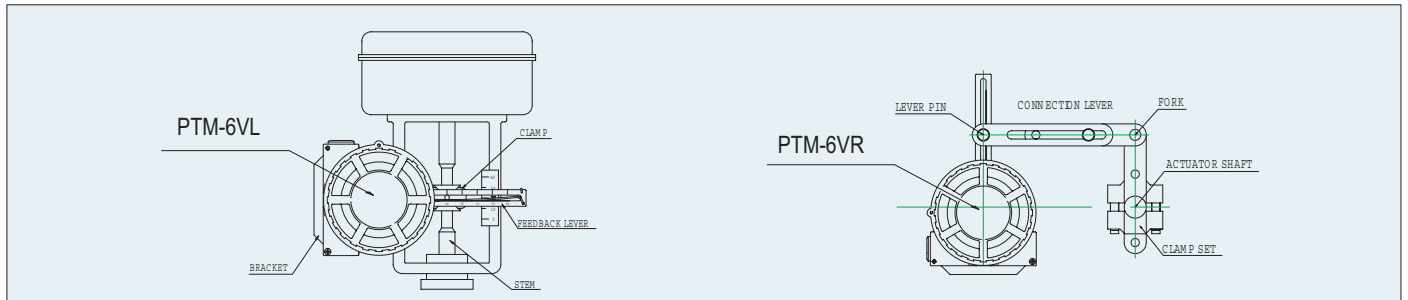
WIRING



PCB



INSTALLATION



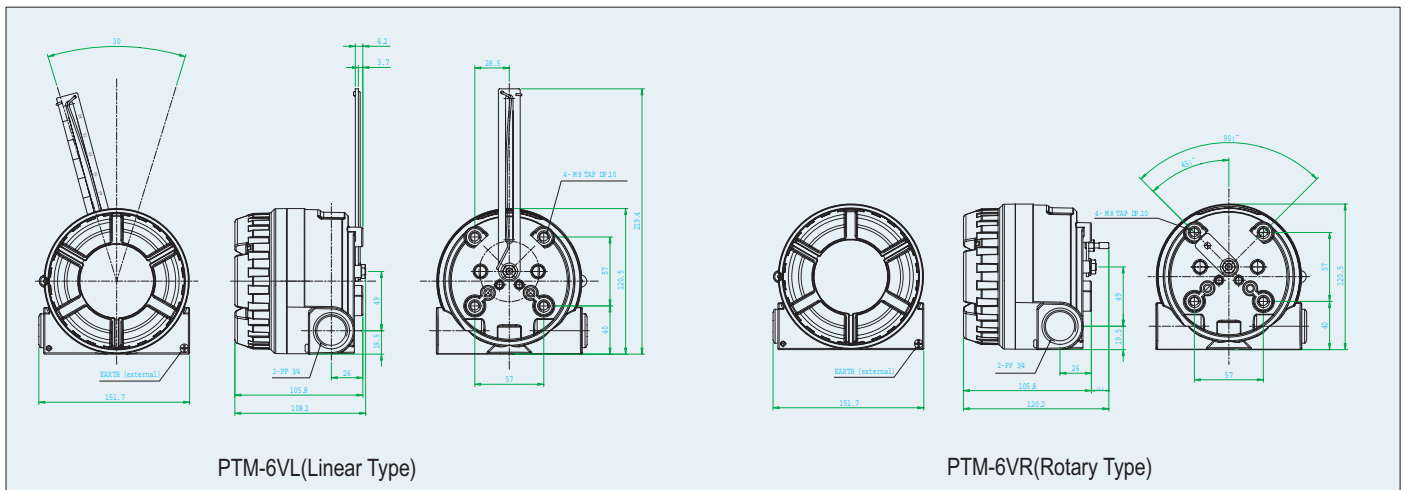
LEVER

PTM-6VL(Linear Type)

LEVER TYPE	STROKE (mm)	L (mm)
A	20 - 70	151
B	50 - 100	223.6
C	100 -150	301.3

PTM-6VR(Rotary Type)

DIMENSIONS



Position Transmitter PTM-6VR With Limit Switch (Flameproof Type)

INTRODUCTION

Electronic Position Transmitter PTM-6VRL series senses mechanical position change of stem being on the valve or similar device and converses to current signal of DC 4~20mA outputs. It is flameproof type and Limit Switch is attached internally.

FEATURES

- Mechanical Limit Switch is built in the Position Transmitter, so it isn't necessary bracket for Limit Switch and wiring is simple.
- Wiring is convenient due to 2 wire type.
- It has high resolution and reliability.
- The controlling range of Zero and Span is large, so adjustment is convenient.
- It is possible to change RA/DA with changing position of dip-switch without replacement of any parts.

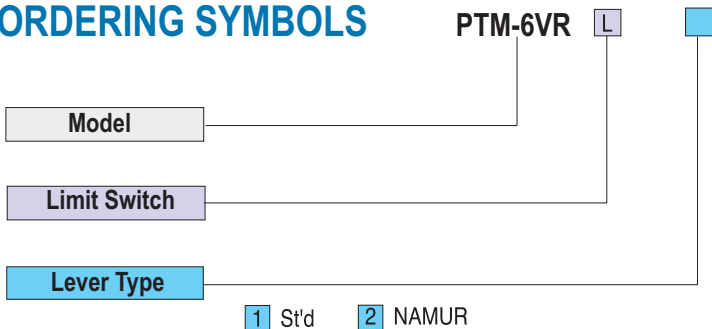


PTM-6VRL

SPECIFICATIONS

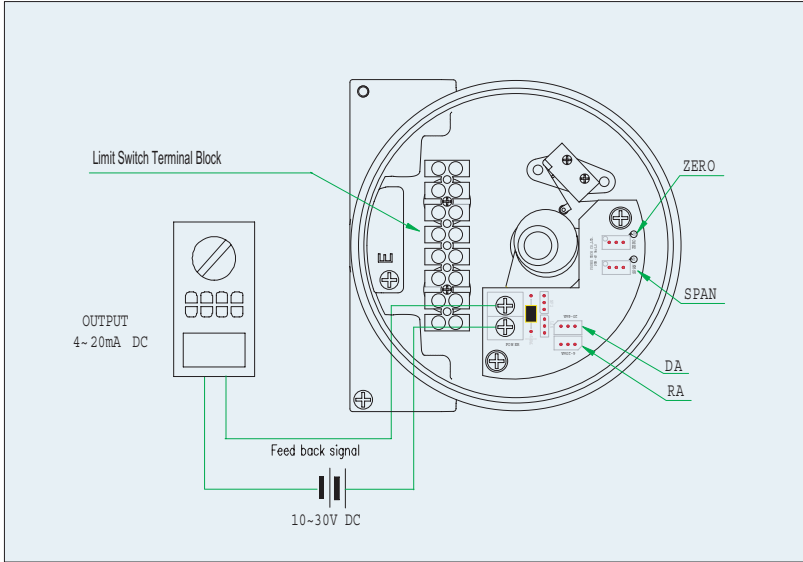
Item Type	PTM-6VRL
Input Type	2wire
Input Signal	0 ~ 90°
Output Signal	4-20mA DC
Supply Voltage	10~30V DC
Noise Range	50mV p.p
Conduit	PF1/2 (G1/2)
Ambient Temp	-20°C ~ 70°C (-4 ~158° F)
Linearity	± 0.5% F.S.
Hysteresis	0.5%F.S.
Sensitivity	±0.2% F.S.
Rating	0.6A 125V~16A 250V AC
Switch Type	2X SPDT
Temperature Rating	-40°C ~ 85°C
Weight	1.3kg (2.9lb)
Protection	IP67
Explosion Proof	ExdIICT6
Material	Aluminum Casting

ORDERING SYMBOLS



Position Transmitter PTM-6VR With Limit Switch (Flameproof Type)

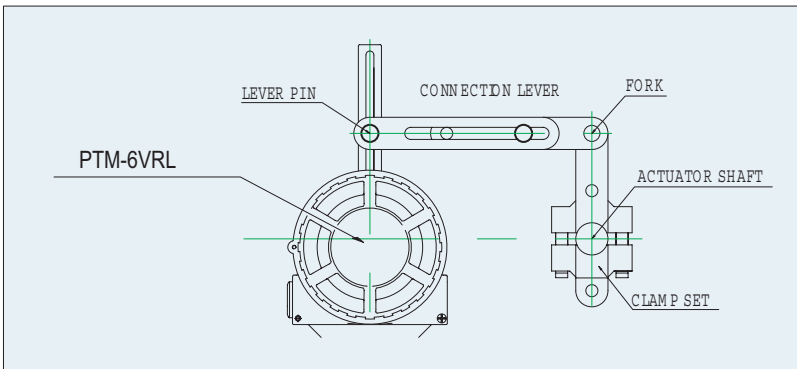
WIRING



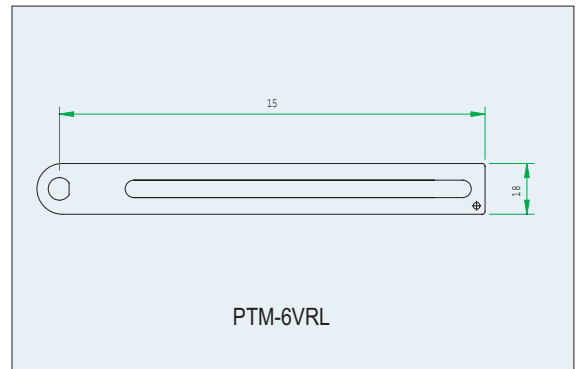
PCB



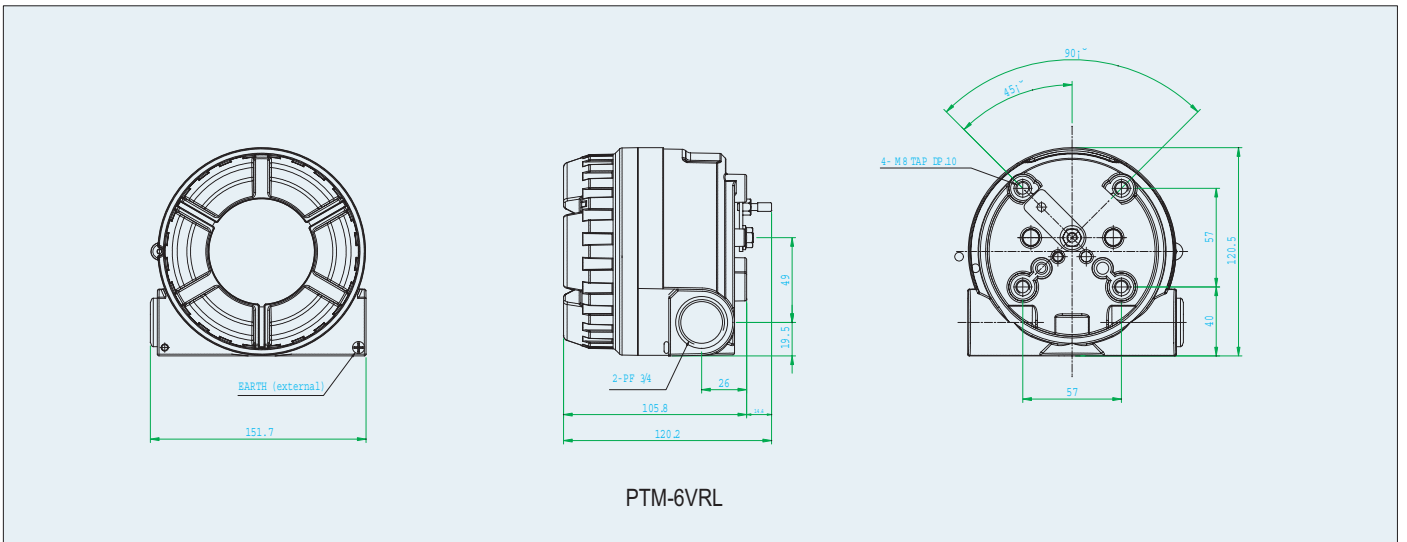
INSTALLATION



LEVER



DIMENSION





Young Tech Co., Ltd.

662-8, Pungmu-Dong, Kimpo-City, Kyeonggi-Do, Korea
Tel: 82-31-986-8545 Fax: 82-31-986-2683

E-mail: ytc@ytc.co.kr

Homepage: <http://www.ytc.co.kr>, <http://www.positioner.biz>