

Electro-Pneumatic Positioner YT-1000L

Product Number: YT-1000L (specify your requirement)

Model	Acting Type	Explosion Proof	Lever Type	Orifice Type	Connection Type	Ambient Temp	Option
YT-1000L	S Single	m ExdmIIBT5	1 10 ~ 40mm	1 ϕ 1	1 PT	S -20°C ~ 60°C	0 NONE
	D Double	f ExdmIIBT5 (FM)	2 30 ~ 70mm	2 ϕ 2	2 NPT	H -20°C ~ 120°C	1 +PTM (Internal)
		C ExdmIIBT5	3 60 ~ 100mm	3 None		L -40°C ~ 70°C	
		i ExiaIIBT6	4 100 ~ 150mm				
		n Non-Explosion					



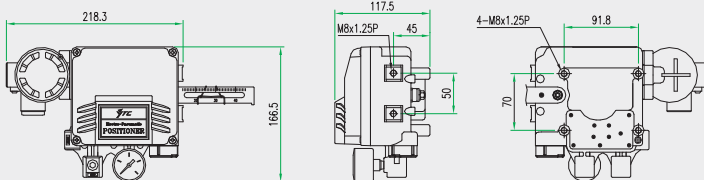
YT-1000L



YT-1000L+PTM(int.)

Item · Type	Single	Double
Input Signal	4-20mA DC	
Impedance	250 ± 15 Ω	
Supply Pressure	1.4 ~ 7kgf/cm ² (20 ~ 100 psi)	
Stroke	10 ~ 150mm	
Air Connection	PT(NPT) 1/4	
Gauge Connection	PT(NPT) 1/8	
Conduit	PF 1/2 (G 1/2)	
Explosion Proof	Ex dm IIB T5 Ex dm IIC T5 Ex ia IIB T6	
Protection	IP66	
Ambient Temp.	Operating	-20°C~70°C(-4~158°F)
	Explosion	-20°C~60°C(-4~140°F)
Linearity	± 1% F.S. ± 2% F.S.	
Hysteresis	± 1% F.S.	
Sensitivity	± 0.2% F.S. ± 0.5% F.S.	
Repeatability	± 0.5% F.S.	
Air Consumption	3LPM (Sup=1.4kgf/cm ² , 20psi)	
Flow Capacity	80LPM (Sup=1.4kgf/cm ² , 20psi)	
Material	Aluminum Diecasting	
Weight	2.7kg (6.1 lb)	

* For additional PTM specification refer to p.23.



The Electro-Pneumatic Positioner YT-1000L is used for operation of pneumatic linear valve actuators by means of electrical controller or control system with an analog output signal of DC 4 to 20mA or split ranges.

- Simple zero and span adjustment
- No resonance between 5-200Hz
- Auto/Manual switch
- RA v.s. DA action and 1/2 split range setting by simple adjustment
- Internal feedback signal is available as an option (weather proof only)

Electro-Pneumatic Positioner YT-1000R

Product Number: YT-1000R (specify your requirement)

Model	Acting Type	Explosion Proof	Lever Type	Orifice Type	Connection Type	Ambient Temp	Option1	Option2
YT-1000R	S Single	m ExdmIIBT5	1 M6 × 34L	1 φ 1	1 PT	S -20°C ~ 60°C	0 NONE (St'd)	0 NONE
	D Double	f ExdmIIBT5 (FM)	2 M6 × 63L	2 φ 2	2 NPT	H -20°C ~ 120°C	1 Dome Cover	1 + PTM(Internal)
		C ExdmICT5	3 M8 × 34L	3 None		L -40°C ~ 70°C		2 + PTM(External)
		I ExiaIIBT6	4 M8 × 63L					3 + L / S(Internal)
		n Non-Explosion	5 NAMUR					4 + L / S(External)

Internal PTM, L/S are Non-Explosion only.
(Option 2)



YT-1000R



YT-1000R+PTM(int)



YT-1000R+PTM+L/S(int)



YT-1000R+DOME



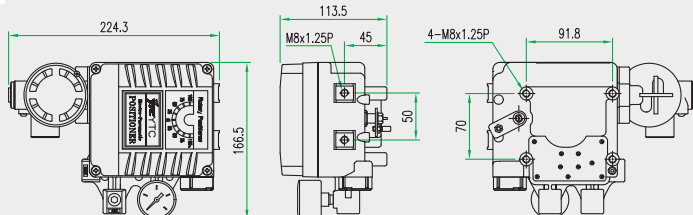
YT-1000R+L/S(ext)
YT-1000R+PTM+L/S(ext)



YT-1000R+PTM(ext)

Item · Type	Single	Double
Input Signal	DC 4-20mA	
Impedance	250 ± 15 Ω	
Supply Pressure	1.4 ~7kgf/cm ² (20 ~100 psi)	
Stroke	0 ~ 90°	
Air Connection	PT(NPT) 1/4	
Gauge Connection	PT(NPT) 1/8	
Conduit	PF 1/2 (G1/2)	
Explosion Proof	Ex dm IIB T5 Ex dm IIC T5 Ex ia IIB T6	
Protection	IP66	
Ambient Temp	Operating	-20°C~70°C(-4~158°F)
	Explosion	-20°C~60°C(-4~140°F)
Linearity	± 1% F.S. ± 2% F.S.	
Hysteresis	1% F.S.	
Sensitivity	± 0.2% F.S. ± 0.5% F.S.	
Repeatability	± 0.5% F.S.	
Air Consumption	3LPM (Sup=1.4kgf/cm ² , 20psi)	
Flow Capacity	80LPM (Sup=1.4kgf/cm ² , 20psi)	
Material	Aluminum Diecasting	
Weight	2.8kg (6.2 lb)	

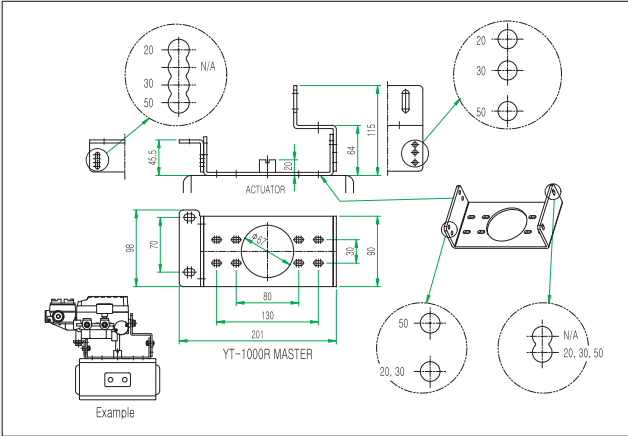
* For additional PTM, L/S specification refer to p.22, 23, 25(Int.) and 26(Ext.).



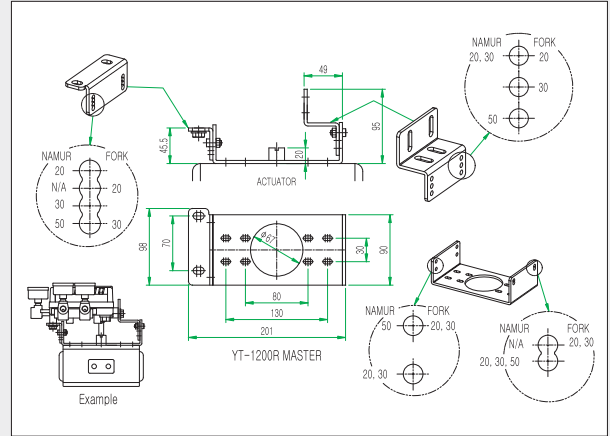
The Electro-Pneumatic Positioner YT-1000R is used for operation of pneumatic rotary valve actuators by means of electrical controller or control system with an analog output signal of DC 4 to 20mA or split ranges. (refer to YT-1000L, page12)

Bracket, Lever

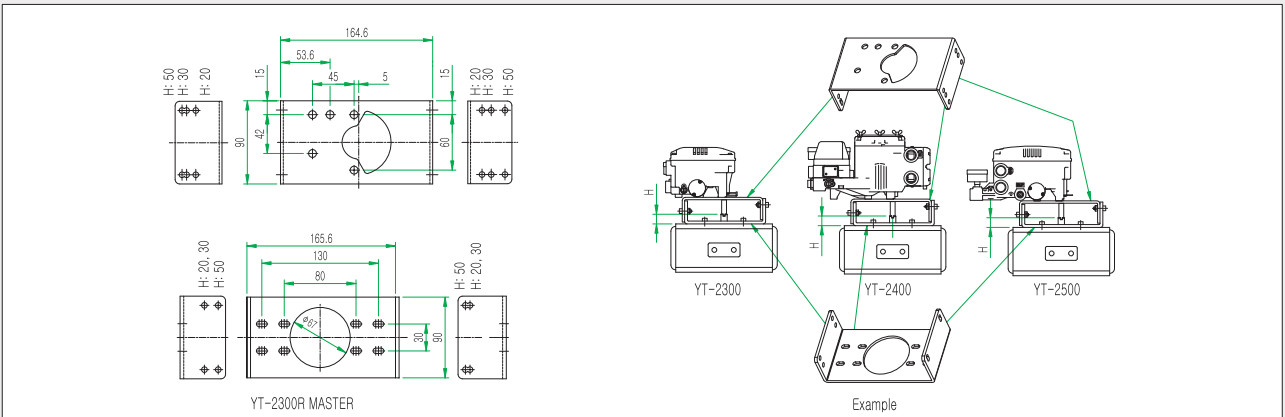
YT-1000R Bracket Series



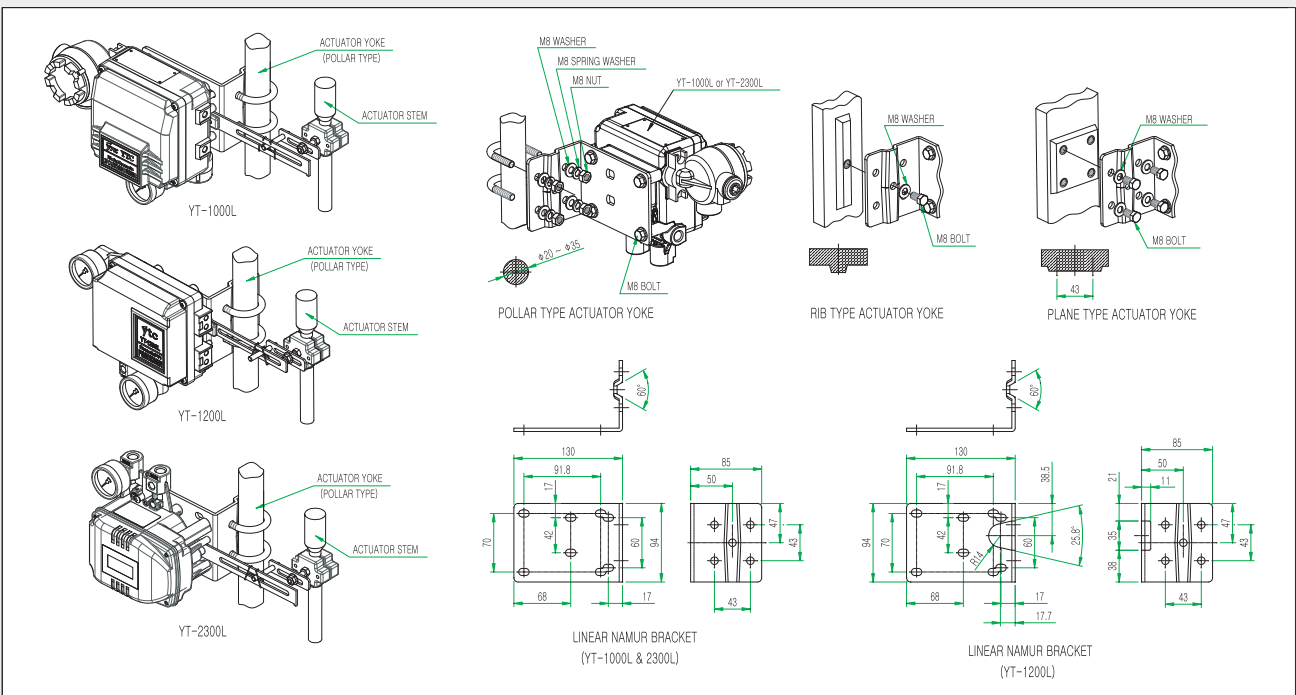
YT-1200R Bracket Series



YT-1300R & YT-1350R & YT-2300R & YT-2350R & YT-2400R & YT-2500R Bracket Series

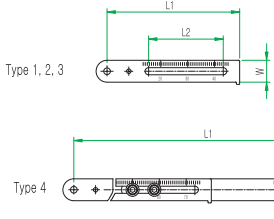


YT-1000L & YT-1200L & YT-2300L & YT-2500L Namur Bracket Series



Bracket, Lever

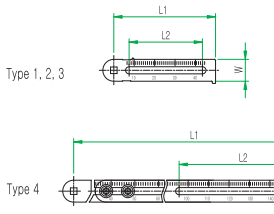
Lever Series



Type 1, 2, 3

Lever Type	Stroke(mm)	L1(mm)	L2(mm)	W(mm)
1	10~40	121.2	68.2	20.0
2	30~70	195.0	120.0	
3	60~100	277.0	122.0	
4	110~150	400.0	122.0	

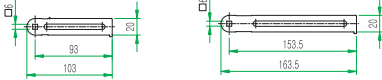
YT-1000 & 1200 Linear Type



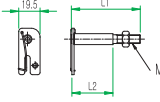
Type 1, 2, 3

Lever Type	Stroke(mm)	L1(mm)	L2(mm)	W(mm)
1	10~40	93.0	67.0	20.0
2	20~70	153.5	106.5	
3	50~100	214.0	117.0	
4	100~150	307.3	117.0	

YT-1300 & 1350 & 2300 & 2301 & 2350 & 2400 & 2500
& PTM-5V & 6V Linear Type

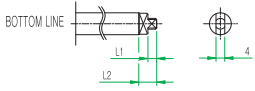


PTM-5V Rotary Type PTM-6V Rotary Type



Lever Type	L1(mm)	L2(mm)	M
1	34	9	M6
2	63	37	
3	34	9	M8
4	63	37	

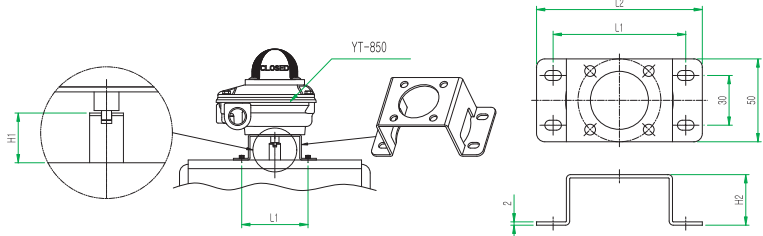
Rotary Type



Model	L1(mm)	L2(mm)
YT-1000, 1200	7	11
YT-2300, 2400, 2500	4	8

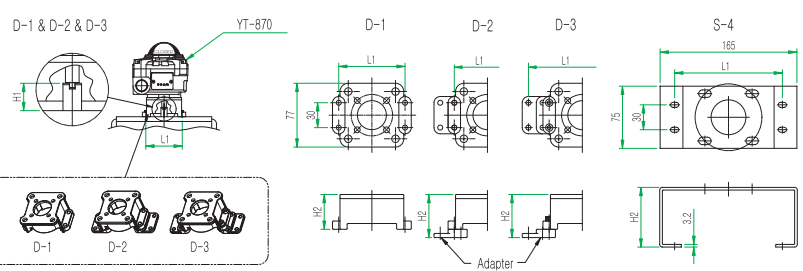
Namur Type

YT-850 Bracket Series



MODEL NO.	H1 (mm)	H2 (mm)	L1 (mm)	L2 (mm)	REMARK
ST-1	20	30.5	80	100	
ST-2	30	40.5			
ST-3	30	40.5	130	150	
ST-4	50	60.5			

YT-870 Bracket Series



MODEL NO.	H1(mm)	H2 (mm)	L1 (mm)	REMARK
D-1	20	42	80	
D-2	30	52		
D-3	30	52		130
S-4	50	72		