

Electro-Pneumatic Positioner YT-1050

Product Number: YT-1050 (specify your requirement)

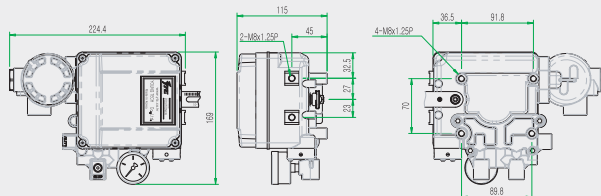
Model	Motion Type	Acting Type	Explosion Proof	Lever Type		Orifice Type	Connection Type	Ambient Temp
				Linear	Rotary			
YT-1050	L Linear	S Single	m ExdmIIBT5	1 10 ~ 40mm	1 M6 × 34L	1 φ 1	1 PT	S -20°C ~ 60°C
	R Rotary	D Double	C ExdmIIC T5	2 30 ~ 70mm	2 M6 × 63L	2 φ 2	2 NPT	H -20°C ~ 120°C
			i ExialIIB T6	3 60 ~ 100mm	3 M8 × 34L	3 None		L -40°C ~ 70°C
				4 100 ~ 150mm	4 M8 × 63L			
					5 NAMUR			



YT-1050R



YT-1050L



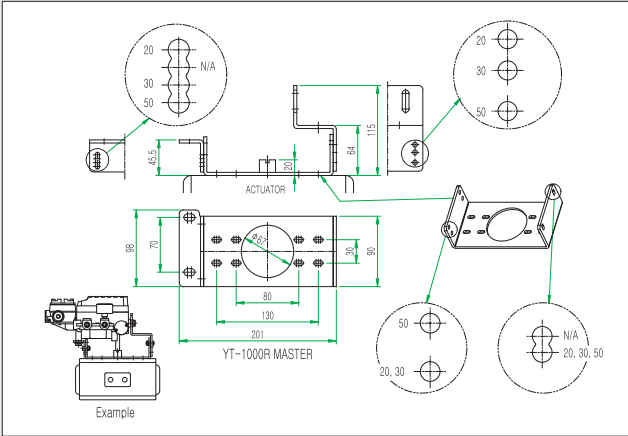
Item · Type	Single	Double
Input Signal	4-20mA DC	
Impedance	250 ± 15 Ω	
Supply Pressure	1.4 ~ 7kgf/cm ² (20 ~ 100 psi)	
Stroke	10~150mm	0 ~ 90°
Air Connection	PT(NPT) 1/4	
Gauge Connection	PT(NPT) 1/8	
Conduit	PF 1/2 (G 1/2)	
Explosion Proof	Ex dm IIB T5 Ex dm IIC T5 Ex ia IIB T6	
Protection	IP66	
Ambient Temp.	Operating	-20°C~70°C(-4~158°F)
	Explosion	-20°C~60°C(-4~140°F)
Linearity	± 1% F.S. ± 2% F.S.	
Hysteresis	± 1% F.S.	
Sensitivity	± 0.2% F.S. ± 0.5% F.S.	
Repeatability	± 0.5% F.S.	
Air Consumption	3LPM (Sup=1.4kgf/cm ² , 20psi)	
Flow Capacity	80LPM (Sup=1.4kgf/cm ² , 20psi)	
Material	Stainless steel 316	
Weight	5.71 kg / 12.6 lb	

YT-1050, the Electro-Pneumatic Positioner is used for operation of pneumatic valve actuators by means of electrical controller or control system with an analog output signal of DC 4 to 20mA or split ranges.

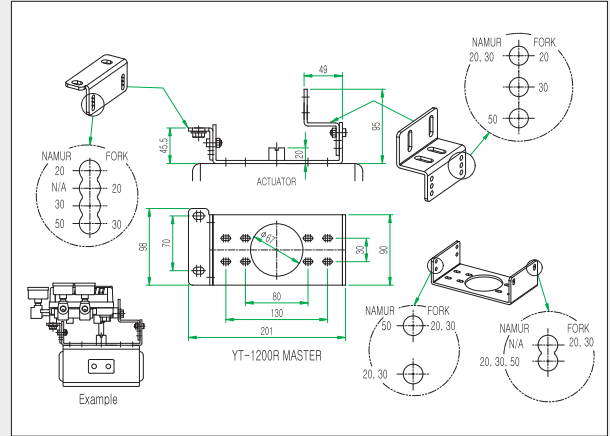
- Simple zero and span adjustment
- No resonance between 5-200Hz
- Auto/Manual switch
- RA v.s. DA action and 1/2 split range setting by simple adjustment

Bracket, Lever

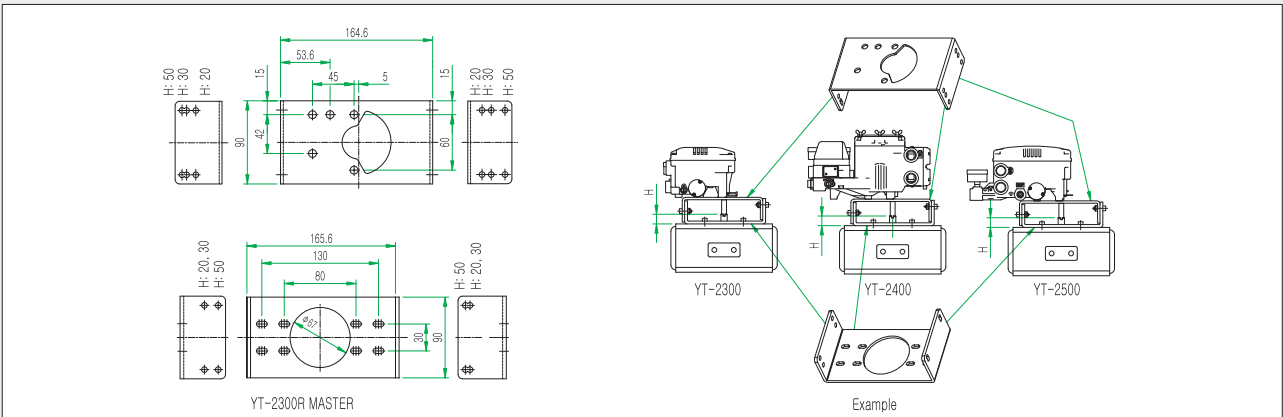
YT-1000R Bracket Series



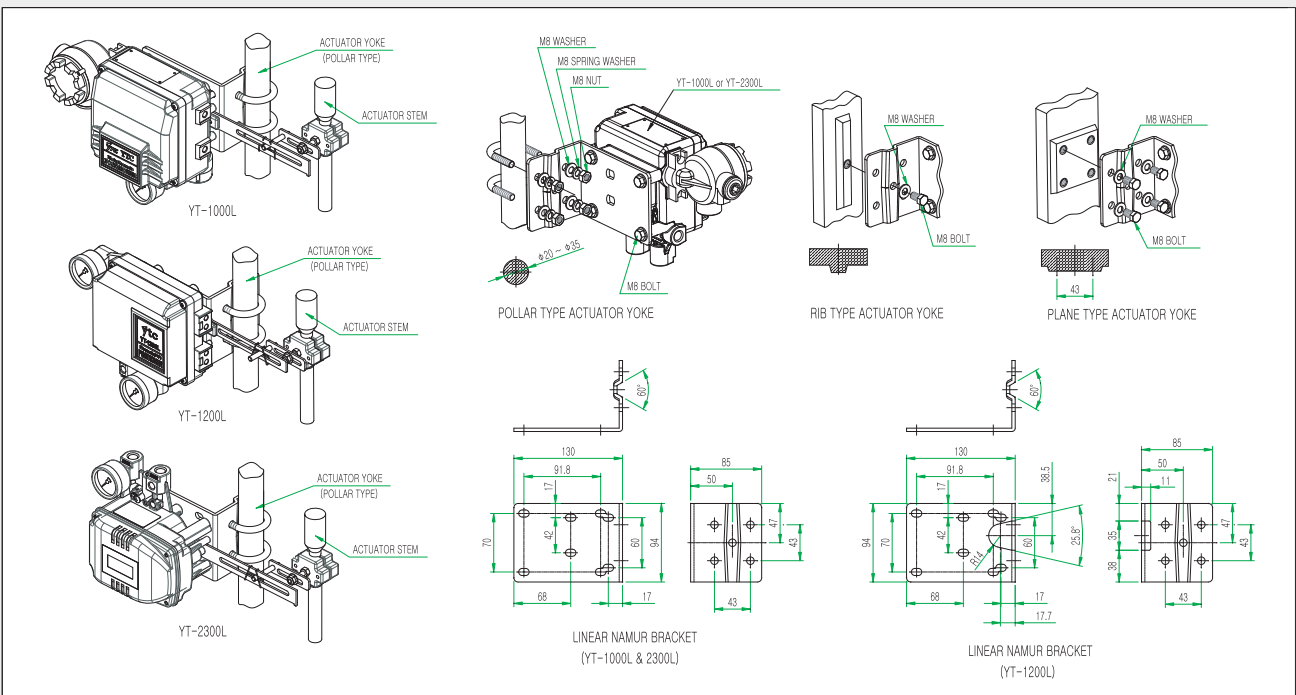
YT-1200R Bracket Series



YT-1300R & YT-1350R & YT-2300R & YT-2350R & YT-2400R & YT-2500R Bracket Series

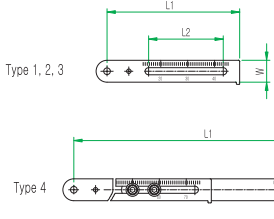


YT-1000L & YT-1200L & YT-2300L & YT-2500L Namur Bracket Series



Bracket, Lever

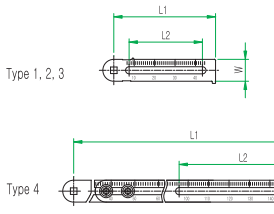
Lever Series



Type 1, 2, 3

Lever Type	Stroke(mm)	L1(mm)	L2(mm)	W(mm)
1	10~40	121.2	68.2	20.0
2	30~70	195.0	120.0	
3	60~100	277.0	122.0	
4	110~150	400.0	122.0	

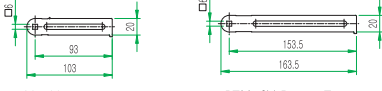
YT-1000 & 1200 Linear Type



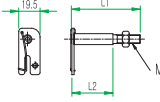
Type 1, 2, 3

Lever Type	Stroke(mm)	L1(mm)	L2(mm)	W(mm)
1	10~40	93.0	67.0	20.0
2	20~70	153.5	106.5	
3	50~100	214.0	117.0	
4	100~150	307.3	117.0	

YT-1300 & 1350 & 2300 & 2301 & 2350 & 2400 & 2500
& PTM-5V & 6V Linear Type

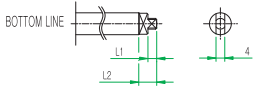


PTM-5V Rotary Type PTM-6V Rotary Type



Lever Type	L1(mm)	L2(mm)	M
1	34	9	M6
2	63	37	
3	34	9	M8
4	63	37	

Rotary Type

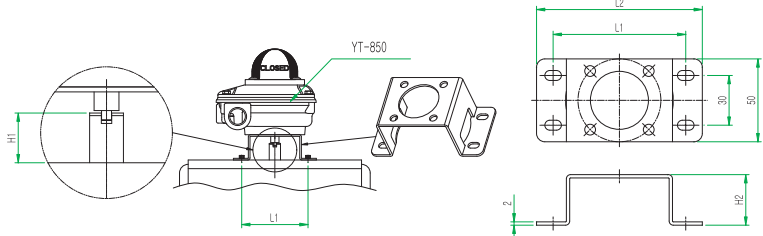


BOTTOM LINE

Model	L1(mm)	L2(mm)
YT-1000, 1200	7	11
YT-2300, 2400, 2500	4	8

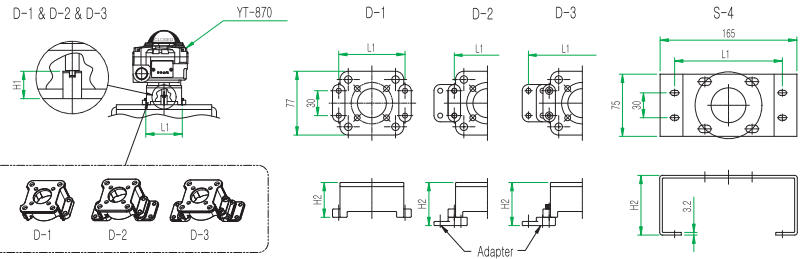
Namur Type

YT-850 Bracket Series



MODEL NO.	H1 (mm)	H2 (mm)	L1 (mm)	L2 (mm)	REMARK
ST-1	20	30.5	80	100	
ST-2	30	40.5			
ST-3	30	40.5	130	150	
ST-4	50	60.5			

YT-870 Bracket Series



MODEL NO.	H1(mm)	H2 (mm)	L1 (mm)	REMARK
D-1	20	42	80	
D-2	30	52		
D-3	30	52		130
S-4	50	72		