

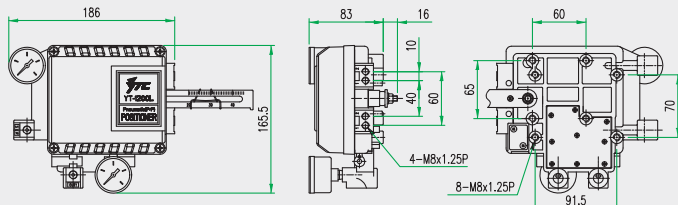
Pneumatic-Pneumatic Positioner YT-1200L

Product Number: YT-1200L ■ ■ ■ ■ ■ ■ (specify your requirement)

Model	Acting Type	Lever Type	Orifice Type	Connection Type	Ambient Temp	
YT-1200L	S Single	1 10 ~ 40mm	1 ϕ 1	1 PT	S -20°C ~ 70°C	
	D Double	2 30 ~ 70mm	2 ϕ 2	2 NPT	H -20°C ~ 120°C	
		3 60 ~ 100mm	3 None			L -40°C ~ 70°C
		4 100 ~ 150mm				



Item · Type	Single	Double
Input Signal	0.2 ~ 1kgf / cm ² (3 ~ 15 psi)	
Supply Pressure	1.4 ~ 7kgf / cm ² (20 ~ 100 psi)	
Stroke	10 ~ 150mm	
Air Connection	PT(NPT) 1/4	
Gauge Connection	PT(NPT) 1/8	
Protection	IP66	
Ambient Temp.	-20°C ~ 70°C (-4 ~ 158°F)	
Linearity	± 1% F.S.	± 2% F.S.
Hysteresis	± 1% F.S.	
Sensitivity	± 0.2% F.S.	± 0.5% F.S.
Repeatability	± 0.5% F.S.	
Air Consumption	3LPM (Sup=1.4kgf / cm ² , 20psi)	
Flow Capacity	80LPM (Sup=1.4kgf / cm ² , 20psi)	
Material	Aluminum Diecasting	
Weight	1.7kg (3.1 lb)	



The Pneumatic positioner YT-1200L is used for pneumatic linear valve actuators by means of pneumatic controller or control systems with an output signal of 3 to 5 psi or split ranges.

- Simple zero and span adjustment
- No resonance between 5-200Hz
- Auto/Manual switch
- RA v.s. DA action and 1/2 split range setting by simple adjustment

Pneumatic-Pneumatic Positioner YT-1200R

Product Number: YT-1200R ■ ■ ■ ■ ■ ■ (specify your requirement)

Model	Acting Type	Lever Type	Orifice Type	Connection Type	Ambient Temp	Option1
YT-1200R	S Single	1 M6 × 34L	1 φ 1	1 PT	S -20°C ~ 70°C	0 NONE
	D Double	2 M6 × 63L	2 φ 2	2 NPT	H -20°C ~ 120°C	1 + Dome Cover
		3 M8 × 34L	3 None		L -40°C ~ 70°C	2 + PTM-5VR
		4 M8 × 63L				3 + PTM-6VR
		5 NAMUR				4 + YT-850
						5 + YT-870



YT-1200R



YT-1200R+Dome



YT-1200R+YT-850



YT-1200R+PTM-5VR

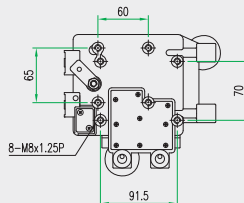
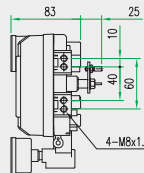
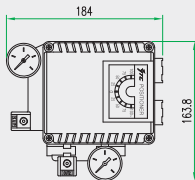


YT-1200R+PTM-6VR



YT-1200R+YT-870

Item · Type	Single	Double
Input Signal	0.2 ~ 1kgf / cm ² (3 ~ 15 psi)	
Supply Pressure	1.4 ~ 7kgf / cm ² (20 ~ 100 psi)	
Stroke	0 ~ 90°	
Air Connection	PT(NPT) 1/4	
Gauge Connection	PT(NPT) 1/8	
Protection	IP66	
Ambient Temp.	-20°C~70°C(-4~158°F)	
Linearity	± 2% F.S.	
Hysteresis	± 1% F.S.	
Sensitivity	± 0.5% F.S.	
Repeatability	± 0.5% F.S.	
Air Consumption	3LPM (Sup=1.4kgf / cm ² , 20psi)	
Flow Capacity	80LPM (Sup=1.4kgf / cm ² , 20psi)	
Material	Aluminum Diecasting	
Weight	1.7kg (3.1 lb)	

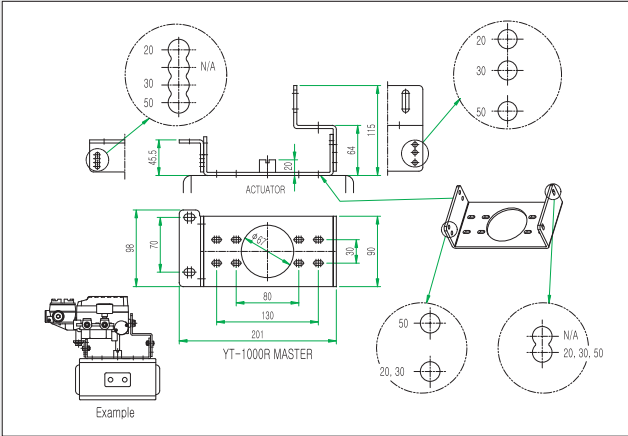


The Pneumatic positioner YT-1200R is used for pneumatic rotary valve actuators by means of pneumatic controller or control systems with an output signal of 3 to 15 psi or split ranges.

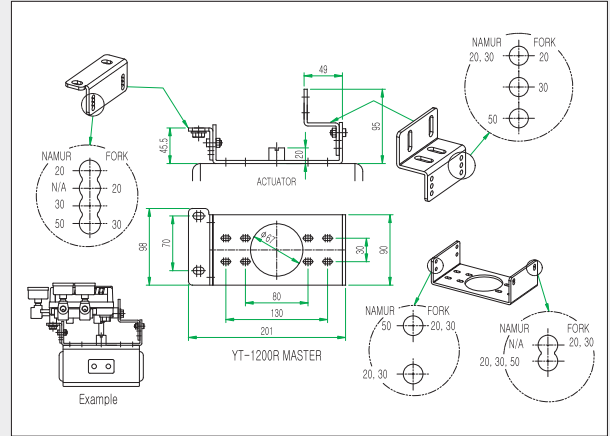
- Simple zero and span adjustment
- No resonance between 5-200Hz
- Auto/Manual switch
- RA v.s. DA action and 1/2 split range setting by simple adjustment

Bracket, Lever

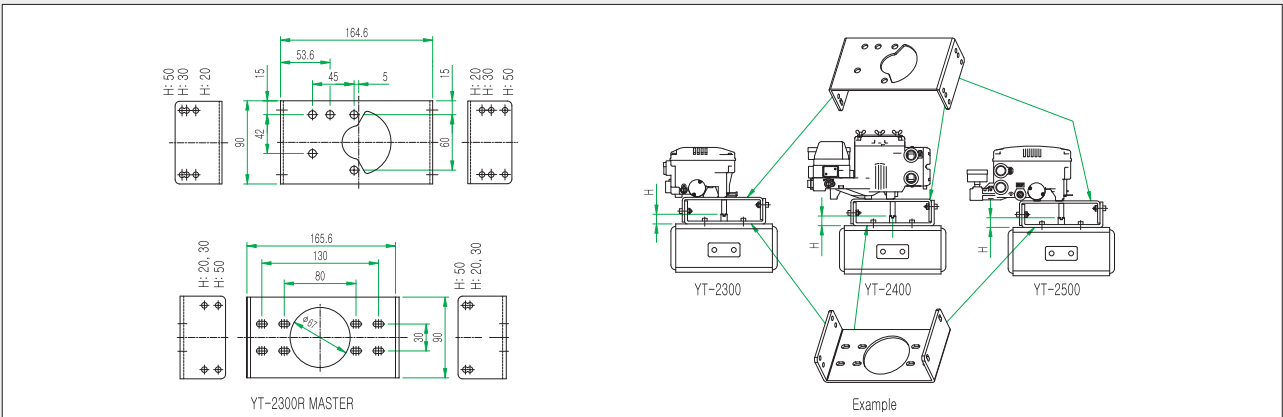
YT-1000R Bracket Series



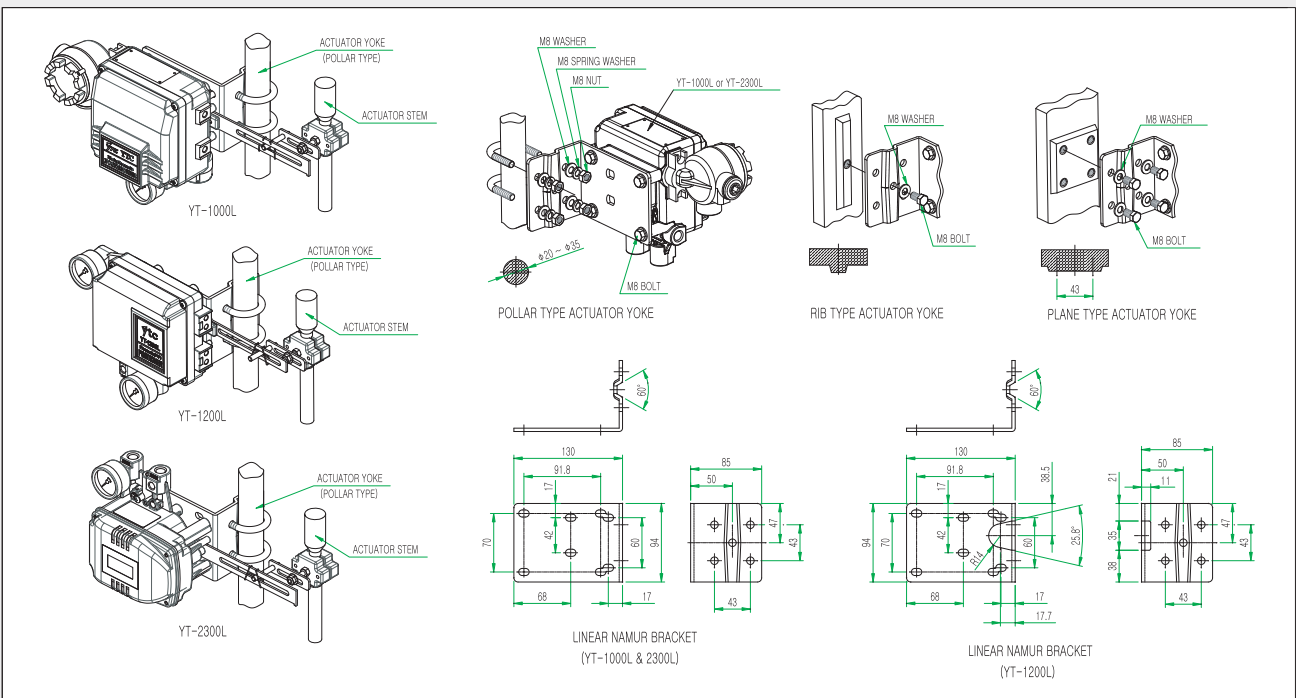
YT-1200R Bracket Series



YT-1300R & YT-1350R & YT-2300R & YT-2350R & YT-2400R & YT-2500R Bracket Series

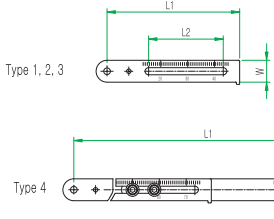


YT-1000L & YT-1200L & YT-2300L & YT-2500L Namur Bracket Series



Bracket, Lever

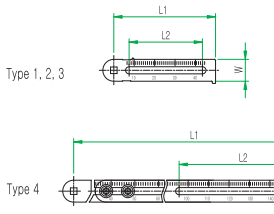
Lever Series



Type 1, 2, 3

Lever Type	Stroke(mm)	L1(mm)	L2(mm)	W(mm)
1	10~40	121.2	68.2	20.0
2	30~70	195.0	120.0	
3	60~100	277.0	122.0	
4	110~150	400.0	122.0	

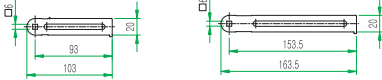
YT-1000 & 1200 Linear Type



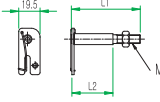
Type 1, 2, 3

Lever Type	Stroke(mm)	L1(mm)	L2(mm)	W(mm)
1	10~40	93.0	67.0	20.0
2	20~70	153.5	106.5	
3	50~100	214.0	117.0	
4	100~150	307.3	117.0	

YT-1300 & 1350 & 2300 & 2301 & 2350 & 2400 & 2500
& PTM-5V & 6V Linear Type

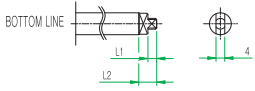


PTM-5V Rotary Type PTM-6V Rotary Type



Lever Type	L1(mm)	L2(mm)	M
1	34	9	M6
2	63	37	
3	34	9	M8
4	63	37	

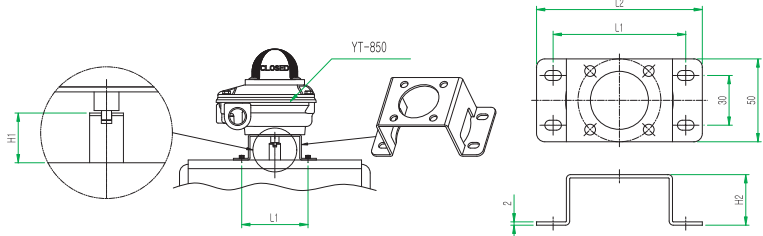
Rotary Type



Model	L1(mm)	L2(mm)
YT-1000, 1200	7	11
YT-2300, 2400, 2500	4	8

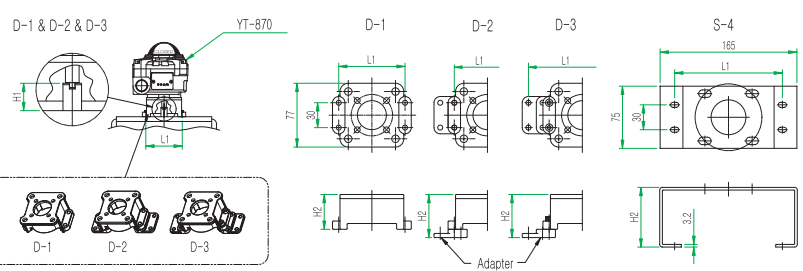
Namur Type

YT-850 Bracket Series



MODEL NO.	H1 (mm)	H2 (mm)	L1 (mm)	L2 (mm)	REMARK
ST-1	20	30.5	80	100	
ST-2	30	40.5			
ST-3	30	40.5	130	150	
ST-4	50	60.5			

YT-870 Bracket Series



MODEL NO.	H1(mm)	H2 (mm)	L1 (mm)	REMARK
D-1	20	42	80	
D-2	30	52		
D-3	30	52		130
S-4	50	72		