

Full, empty and demand indicator

for vertical mounting
with short process connection for reduced installation height
for installation in the discharge taper of bellow feeders

Signal contact	2 A / 250V AC potential-free
Ambient temperature	70 °C at the housing
Type of protection	IP66 in accordance with DIN EN 60529
Maintenance	none

The compact
DF30 fits in every
discharge taper !

We deliver any form of
measuring blade
as per your
request.

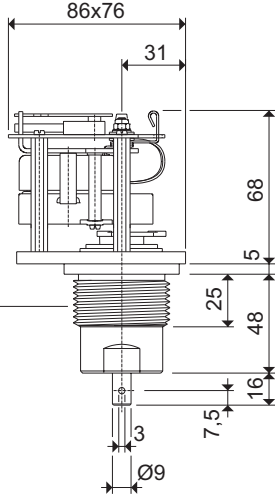
rotation speed
of measuring blade
optional in 5 or 8 rpm.
(short response times)

without housing
(on mounting plate)

Order code
DF30CnG3A

Process connection G1½"

without measuring blade

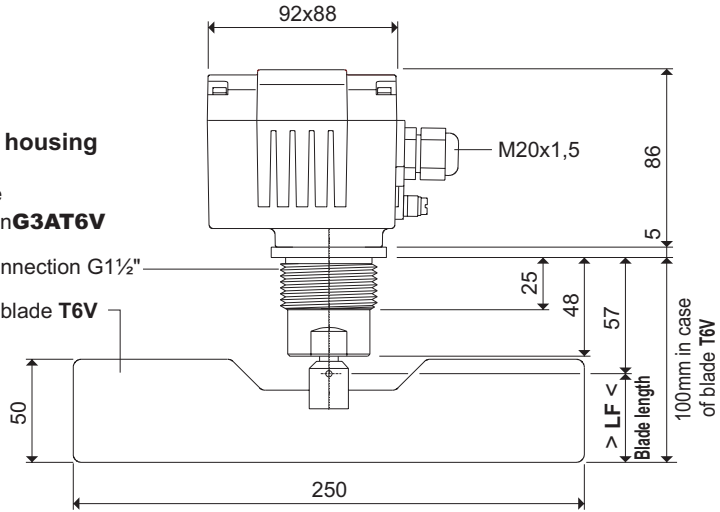


**A1 or A2
Compact housing**

Order code
DF30AnCnG3AT6V

Process connection G1½"

Measuring blade T6V

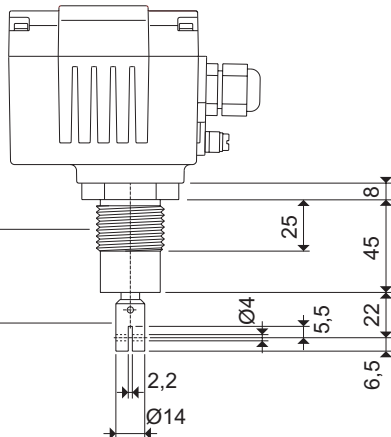


**A1 or A2
Compact housing**

Order code
DF30AnCnG1EM7

Process connection G1E

Measuring blade adapter M7



You will find further technical details
under appliance information **DF-GI-..**

