



3 way brass ball valve coupled with pneumatic actuator

“L” or “T” type / Threaded type

Technical specification of actuator

Double / Single action pneumatic actuator

Type : Double or single action 90°

Compressed air supply : 6 bar (max. 8 bar)

Operating temperture : -20 ... 80 °C

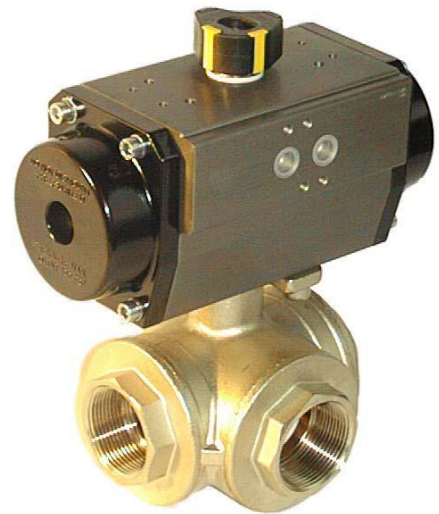
-20 ... 150 °C (Optionaly)

Mounting pad : ISO 5211 / DIN 3337

Solenoid valve conn. : according to NAMUR standard

Body : Anodized aluminium

Options : PTFE and Nickel-plated coated and stainless steel body



Technical specification of valve

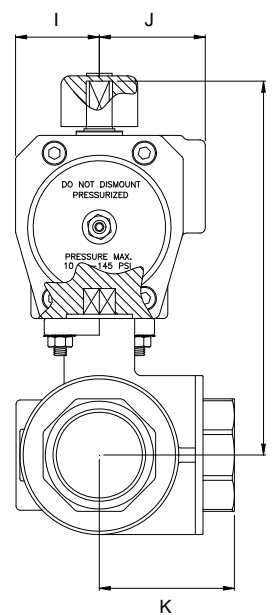
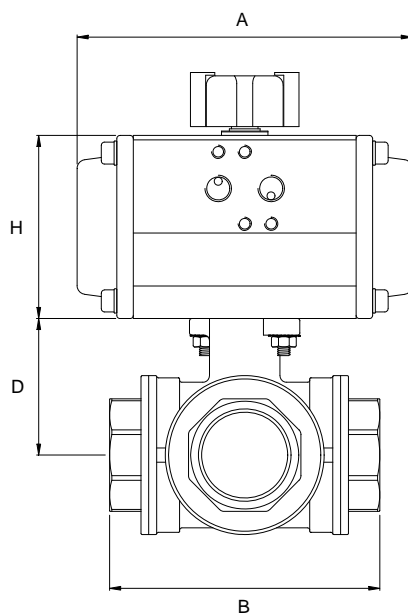
Type : 3 way brass ball valve

Body material : Brass with Nickel coated

Seat : PTFE

Operating pressure : PN 40

Operating temperature : -20 ... +160 °C





3 way brass ball valve coupled with pneumatic actuator
"L" or "T" type / Threaded type

3 way brass ball valve coupled with double action pneumatic actuator

Valve size	Actuator	PN	A	B	D	F	H	I	J	K	Kg
1/4"	DA032	40	117	67	30,5	95,5	45	22,5	25,5	33,5	1,1
3/8"	DA032	40	117	67	30,5	95,5	45	22,5	25,5	33,5	1,1
1/2"	DA032	40	117	77	32,7	97,7	45	22,5	25,5	33,5	1,2
3/4"	DA050	40	138	87	41,5	128,5	67	33,5	41,5	43,5	2,2
1"	DA050	40	138	105	47	134,0	67	33,5	41,5	52,5	2,9
1 1/4"	DA050	40	138	122,5	59,5	146,5	67	33,5	41,5	61,3	3,9
1 1/2"	DA063	40	155,5	138,5	73,9	176,9	83	38,0	48,0	69,3	7,3
2"	DA075	40	210,0	166,0	85	205,0	100	42,5	51,5	83,0	10,5

3 way brass ball valve coupled with single action pneumatic actuator

Valve size	Actuator	PN	A	B	D	F	H	I	J	K	Kg
1/4"	SR050	40	138	67	30,5	118	67	33,5	41,5	33,5	1,9
3/8"	SR050	40	138	67	30,5	118	67	33,5	41,5	33,5	1,9
1/2"	SR050	40	138	77	32,7	120	67	33,5	41,5	33,5	2,0
3/4"	SR063	40	155,5	87	41,5	145	83	38,0	48,0	43,5	2,9
1"	SR063	40	155,5	105	47	150	83	38,0	48,0	52,5	3,6
1 1/4"	SR063	40	155,5	122,5	59,5	163	83	38,0	48,0	61,3	4,6
1 1/2"	SR075	40	210	138,5	73,9	194	100	42,5	51,5	69,3	9,1
2"	SR100	40	280	166,0	85	230	125	55	65	83,0	14,4

ARYAN PAJOUHESH ENG. Co.

1st Floor , No. 39 , 27th St. , Kordestan Exp.
Zip Code: 1437747191 , Tehran – IRAN
Tel.: +98 (21) 88335507-10
Fax: +98 (21) 88010484
Email: info@aryanpajouhesh.com

شرکت آریان پژوهش

تهران- بزرگراه کردستان ، خیابان ۲۷ غربی ،
پلاک ۳۹ ، طبقه اول کدپستی ۱۴۳۷۷۴۷۱۹۱
تلفن : ۸۸۳۳۵۵۰۷-۱۰
فاکس : ۸۸۰۱۰۴۸۴