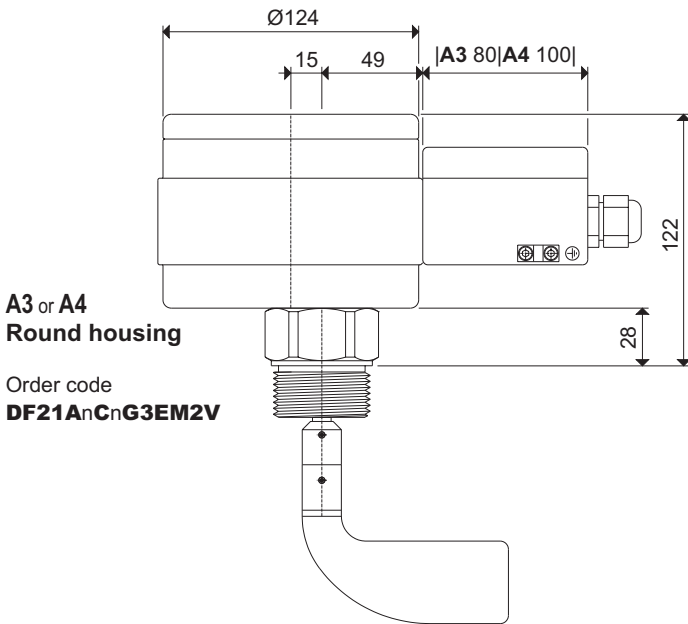


**Full, empty and demand indicator**

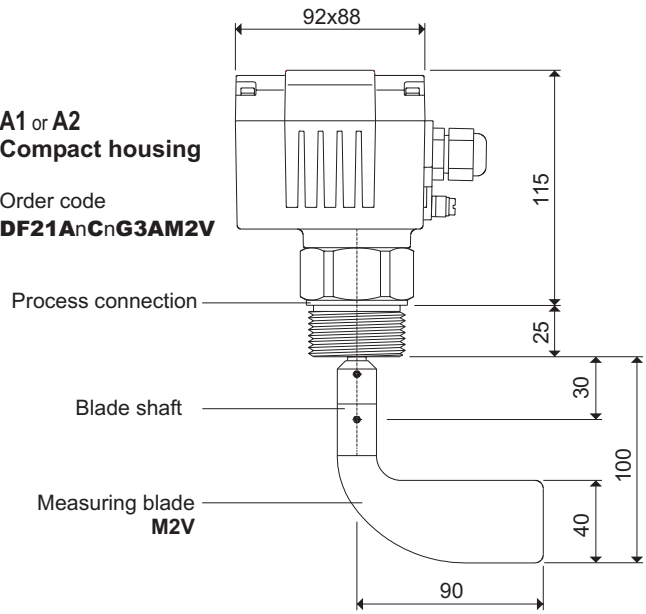
for any mounting position  
large range of applications

**Signal contact** 2 A / 250V AC potential-free  
**Type of protection** IP 66 in accordance with DIN EN 60529  
**Maintenance** none

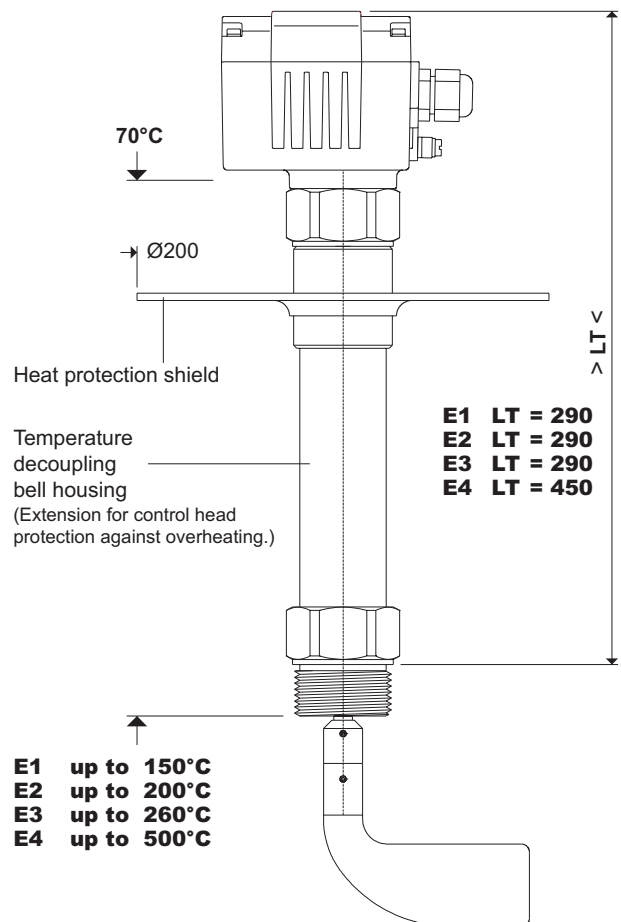
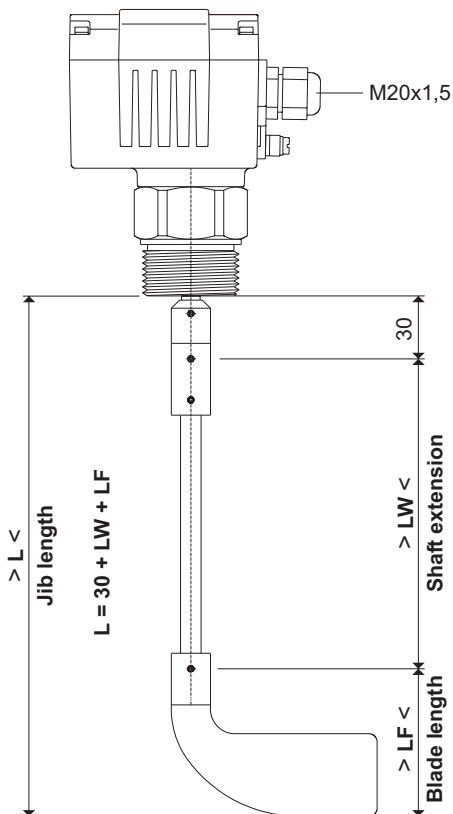


**A1 or A2  
Compact housing**

Order code  
**DF21AnCnG3AM2V**



You will find further technical details  
under appliance information **DF-GI-..**



# Rotary blade level indicators

Level limit switches for bulk goods

# DF21

4 housing versions to choice

### Choice of options

#### Certifications, certificates, approvals

- B0** Standard and ATEX II 3/3D T80°C IP66 **Dust**.....
- B1** ATEX II 1/2D T80°C IP66 **Dust** .....
- B2** ATEX II 1D T70°C IP66 **Dust** <sup>D2)</sup>.....
- B3** ATEX II 1/3D T80°C IP66 **Dust** .....
- B9** Further approvals ..... on request

#### Supply voltage

- C1** 220...240V AC (50...60Hz) .....
- C2** 110...120V AC (50...60Hz) .....
- C3** 48V AC (50...60Hz) .....
- C4** 24V AC (50...60Hz) .....
- C5** 24V DC .....
- C9** Special voltages ..... on request

#### Self-monitoring

- D0** Without monitoring
- D1** Function monitoring.....
- D2** Voltage monitoring .....

#### Signal lamps<sup>1)</sup>

- H0** Standard = with function LEDs .....
- H1** Collar for function LEDs .....
- H2** Signal lamp, LED green .....
- H8** Large signal lamp, LED green.....

#### Bulk goods temperature

- E0** Standard = -25°C...+80°C <sup>2)</sup>...
- E1** -25°C...+150°C .....
- E2** -25°C...+200°C .....
- E3** -25°C...+260°C .....
- E4** -25°C...+500°C <sup>1)</sup>.....
- E7** Appliance heating 2,5 Watt <sup>1)</sup> ...
- E9** ...+1000°C <sup>1)</sup>..... on request

#### Container pressure

- P0** Standard = -0,5...5 bar <sup>3)</sup>..
- P1** -0.5 bar...10 bar .....
- P2** -0.1 bar...10 bar <sup>4)</sup> .....
- P5** -0.9 bar...1 bar <sup>4)</sup> .....
- P6** -0.9 bar...10 bar .....
- P7** -0.9 bar...10 bar <sup>4)</sup> .....

#### Process connection

- G1** Thread G1" DIN/ISO 228..... X X
- G2** Thread G1¼" DIN/ISO 228..... X X
- G3** Thread G1½" DIN/ISO 228..... X X
- G5** Thread M30x1,5..... X X
- G6** Thread M32x1,5..... X X
- G9** Other threads ..... on request
- F1** Flange F70 Ø110, 4xØ9/Ø90..... X X
- F2** Flange F100 150x150, 4xØ18/Ø170.... X X
- F5** Flange DN32 PN 10..... X X
- F6** Flange DN100 PN 6..... X X

#### Material of process connection

- A** Aluminium
- E** Stainless steel .....
- X** Other materials ..... on request

#### Measuring blade

- M0** Without measuring blade .....
- S2** Socket blade 120x30 inclined... X X
- M1** Socket blade 90x28..... X
- M2** Socket blade 90x40..... X
- T1** Blade T50 98x50..... X X
- T2** Blade T100 98x100..... X X
- T8** Rubber blade<sup>1)</sup> 250x100..... X
- X1** Blade X50 98x50..... X
- X2** Blade X100 98x100..... X
- X3** Blade X200 180x100..... X
- K1** Hinged blade T230 200x30 ..... X
- M9** Other measuring blades.... on request

#### Blade reinforcement

- Without reinforcement .....
- V** With reinforcement .....

#### Jib extension

Standard = without extension (LW000 not applicable)

**LW** Shaft extension .....

**0 0 0** enter required length in mm, last digit always **0**

Housing selection

- A1 Compact aluminium housing .....
- A2 Stainless steel compact housing .....
- A3 Aluminium round housing .....
- A4 Stainless steel round housing .....

- Standard and ATEX **Dust** .....
- Standard and ATEX **Dust** .....
- ATEX II 1D2G2GD EEx de IIB T6 T70°C IP66 **Gas+Dust** .....
- ATEX II 1D2G2GD EEx de IIB T6 T70°C IP66 **Gas+Dust** .....

### Supplies

- DF-SH** Weather protection hood in PVC, RAL 7001 ...  
Certificated only for zone 22 and in non-hazardous areas
- DF-SM1** Hexagonal nut G1" .....
- DF-SM2** Hexagonal nut G1¼" .....
- DF-SM3** Hexagonal nut G1½" .....
- DF-SM5** Hexagonal nut M30x1,5 .....
- DF-SM6** Hexagonal nut M32x1,5 .....

#### Material of nuts

- A** Aluminium
- E** Stainless steel

- DF-KV1** Second cable union for standard version.....
- DF-KV2** Second cable union for ATEX version .....

- DF-Y1** Mixer circuit (only with measuring blade T7).....  
Blade dimensions..... on request

- <sup>D2)</sup> delivery only together with D2 or D1
- <sup>1)</sup> **not** available together with B1, B2, A3 and A4
- <sup>2)</sup> max. bulk goods temperature at B2 = -20°C...+45°C
- <sup>3)</sup> container pressure at B1, B2 and B3 = -0.08bar...+0.08bar (-80...+80mbar)
- <sup>4)</sup> with pressure decoupling bell housing DF-P2, -P5 and -P7
- !!!** usage for differences in pressure with B1, B3, A3 and A4 **!!!**



B0, D0, H0, E0, P0, R0 and M0 are **not needed** for order code

#### Standard with

- R0** NBR sealing ring, black .....

suitable for the majority of bulk goods

**Options** only for special applications:

- R1** Sealing ring in Viton/Teflon/VA ..
- R2** Sealing ring in NBR, white FDA ...
- R5** Sealing ring in Teflon .....
- R9** Other sealing rings ...on request
- Rn** add as suffix to selected connection e.g. G2ER2

#### Measuring blade passes through tight hole of:

G2, G3, G4 ..... and all flanges

G1

G3, G4 ..... and all flanges

F2, F6, F7

F2, F6, F7

F2, F6, F7

F2, F6, F7

G2, G3, G4 ..... and all flanges

All larger dimensioned blades **cannot** be inserted through the tight holes and must be mounted from the inside.

DF21  ← Order code