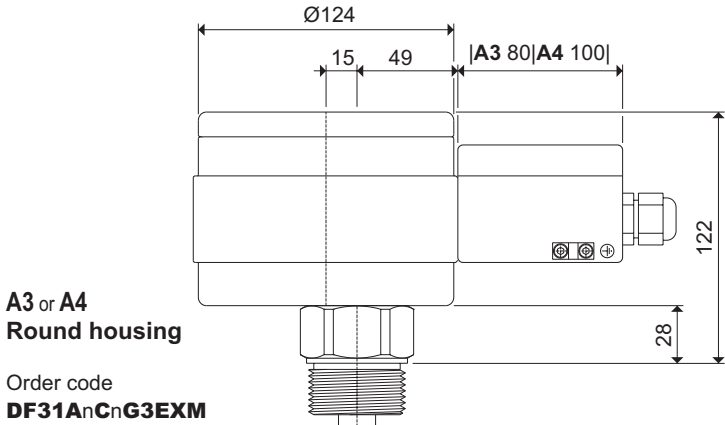


**Full, empty and demand indicator**  
for any mounting position  
with circulating measuring blade, absolutely tight  
due to folding bellows!

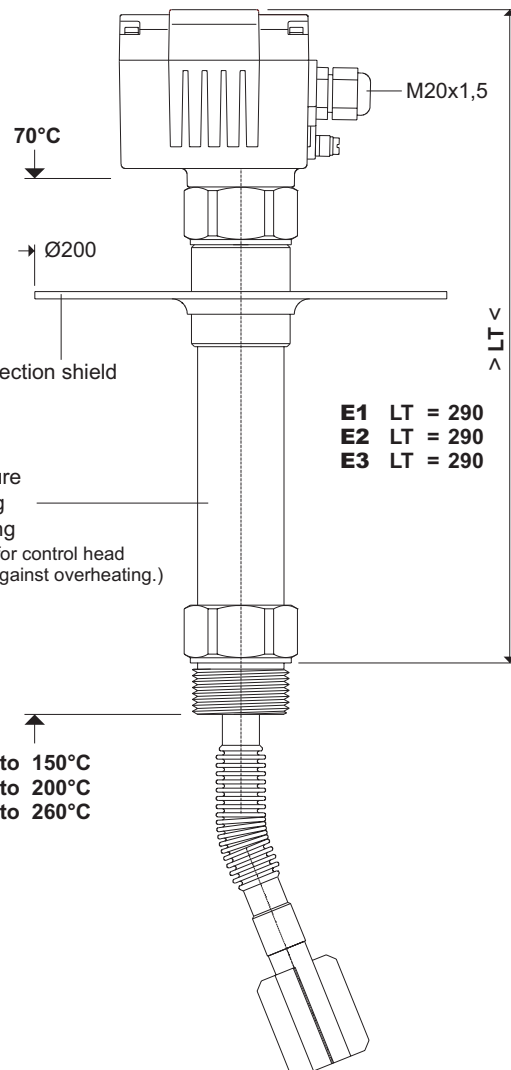
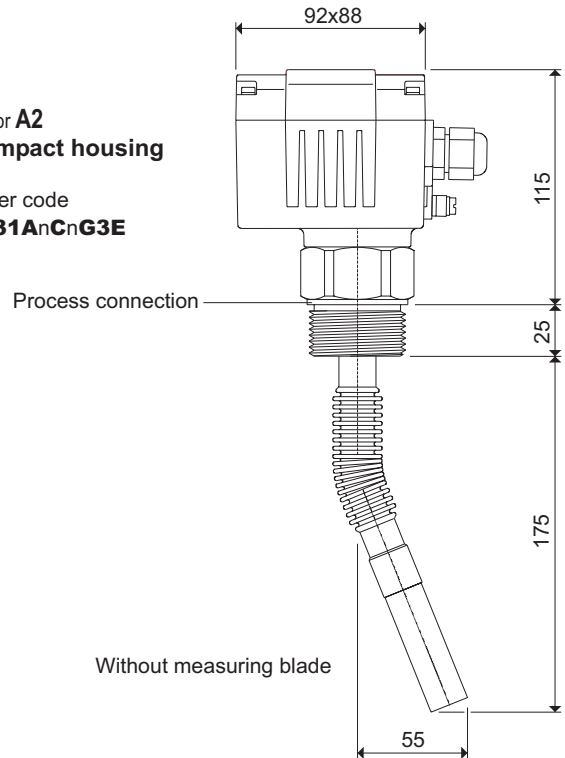
**Signal contact** 2 A / 250V AC potential-free  
**Type of protection** IP66 in accordance with DIN EN 60529  
**Maintenance** none



Measuring blade XM

You will find further technical details  
under appliance information **DF-GI-..**

**A1 or A2  
Compact housing**  
Order code  
**DF31AnCnG3E**



# Rotary blade level indicators

Level limit switches for bulk goods

# DF31

4 housing versions to choice

### Choice of options

#### Certifications, certificates, approvals

- B0 Standard and ATEX II 3/3D T80°C IP66 **Dust** .....
- B1 ATEX Ⓢ II 1/2D T80°C IP66 **Dust** .....
- B2 ATEX Ⓢ II 1D T70°C IP66 **Dust** <sup>D2)</sup>.....
- B3 ATEX Ⓢ II 1/3D T80°C IP66 **Dust** .....
- B9 Further approvals ..... on request

#### Supply voltage

- C1 220...240V AC (50...60Hz) .....
- C2 110...120V AC (50...60Hz) .....
- C3 48V AC (50...60Hz) .....
- C4 24V AC (50...60Hz) .....
- C5 24V DC .....
- C9 Special voltage ..... on request

#### Self-monitoring

- D0 Without monitoring
- D1 Function monitoring .....
- D2 Voltage monitoring .....

#### Signal lamps<sup>1)</sup>

- H0 Standard = with function LEDs .....
- H1 Collar for function LEDs .....
- H2 Signal lamp, LED green .....
- H8 Large signal lamp, LED green .....

#### Bulk goods temperature

- E0 Standard = -25°C...+80°C <sup>2)</sup> ..
- E1 -25°C...+150°C .....
- E2 -25°C...+200°C .....
- E3 -25°C...+260°C .....
- E7 Appliance heating 2,5 Watt <sup>1)</sup>...

#### Container pressure

- P0 Standard = -0.5...5 bar <sup>3)</sup>..

#### Process connection

- G3 Thread G1½" DIN/ISO 228.....
- G9 Other threads ..... on request
- F9 Flanges ..... on request

#### Material of process connection

- A Aluminium
- E Stainless steel
- X Other materials ..... on request

#### Measuring blade

- M0 Without measuring blade .....
- XM Blade X40 44x50.....
- M9 Other measuring blades.... on request

Measuring blades passes through tight hole of: G3

### Supplies

DF-SH Weather protection hood in PVC, RAL 7001 ...  
Certificated only for zone 22 and in non-hazardous areas

DF-SM3 Hexagonal nut G1½" .....

#### Material of nuts

- A Aluminium
- E Stainless steel

DF-KV1 Second cable union for standard version ...

DF-KV2 Second cable union for ATEX - Dust .....

D2) delivery only together with D2 or D1

1) **not** available together with B1, B2, A3 and A4

2) max. bulk goods temperature at B2 = -20°C...+45°C

3) container pressure at B2 = -0.08bar...+0.08bar (-80...+80mbar)



B0, D0, H0, E0, P0 and M0 are **not needed** for order code

- Housing selection
- A1 Compact aluminium housing .....
  - A2 Stainless steel compact housing ..
  - A3 Aluminium round housing .....
  - A4 Stainless steel round housing .....

- Standard and ATEX **Dust** .....
- Standard and ATEX **Dust** ..
- ATEX Ⓢ II 1D2G/2GD EEx de IIB T6 T70°C IP66 **Gas+Dust** ..
- ATEX Ⓢ II 1D2G/2GD EEx de IIB T6 T70°C IP66 **Gas+Dust** ..

### With folding bellows

**absolutely tight, because without seal ring**

suitable for: **wet, aggressive bulk goods, sludges, liquids**

suitable for: **high fluctuations in temperature and pressure with aggressive gases**

DF31

Order code